



PRIVATE MAUSOLEUMS

Creating Memorials One Masterpiece at a Time

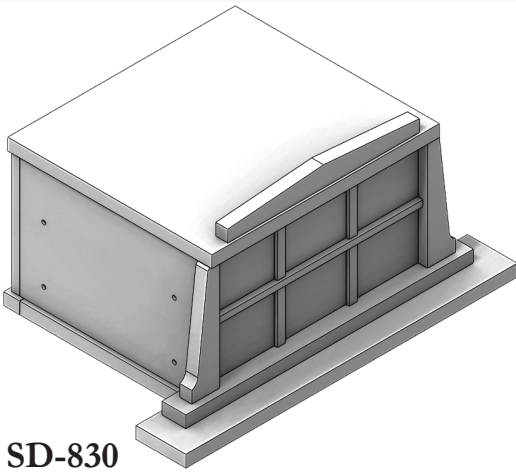


Visit DesignPro Today
<http://designs.sdpweb.net/>

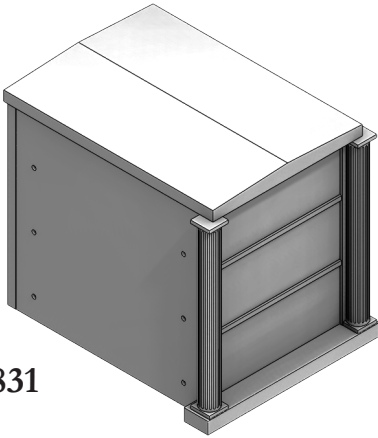
 **Star Granite**
 Creating Memorials One Masterpiece at a Time & **BRONZE**

<http://www.stargranite.com/>
 May 1st, 2018

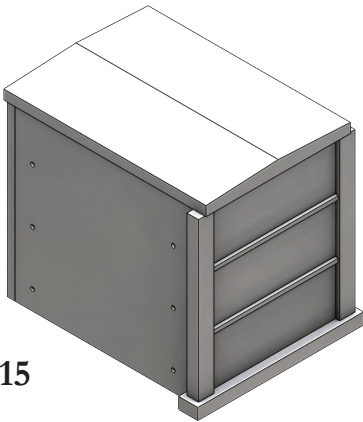
Table of Contents



SD-830
PG. 3



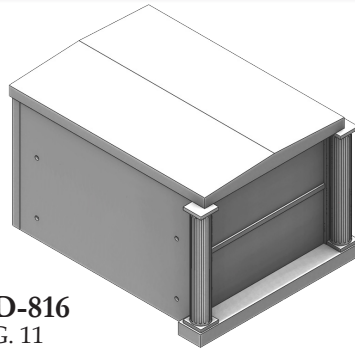
SD-831
PG. 5



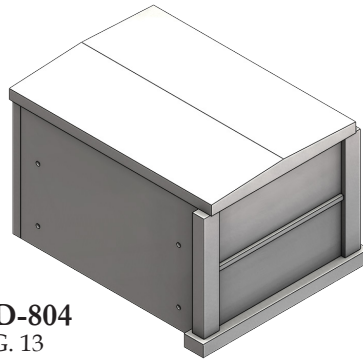
SD-815
PG. 7



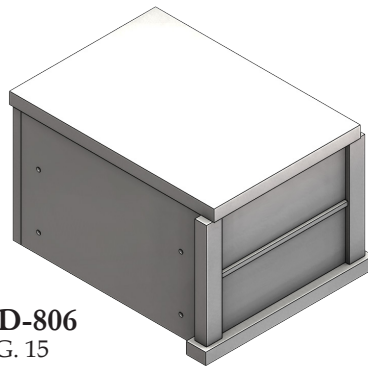
SD-814
PG. 9



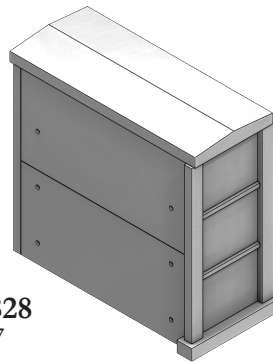
SD-816
PG. 11



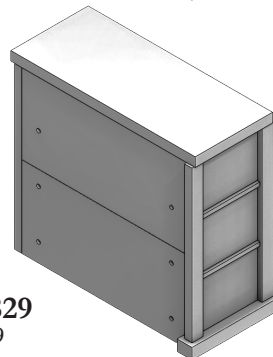
SD-804
PG. 13



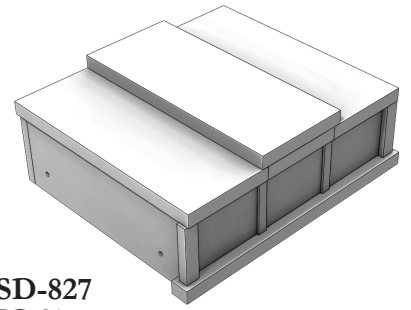
SD-806
PG. 15



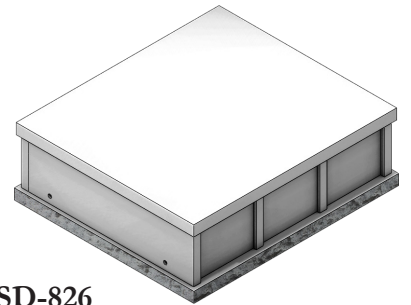
SD-828
PG. 17



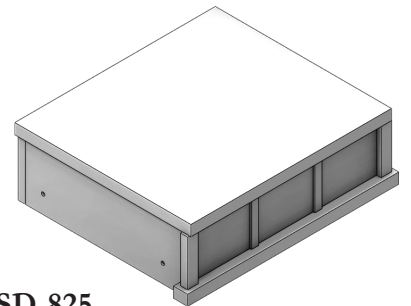
SD-829
PG. 19



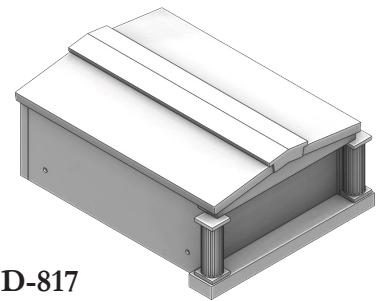
SD-827
PG. 21



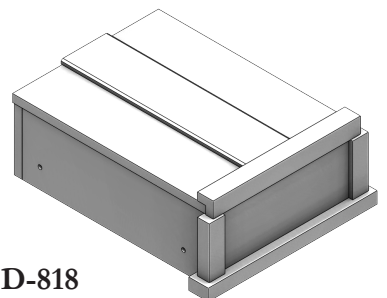
SD-826
PG. 23



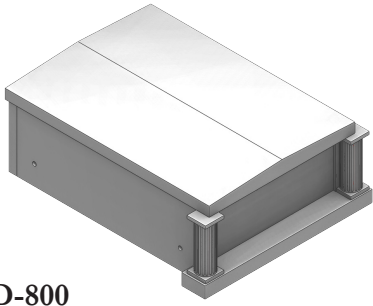
SD-825
PG. 25



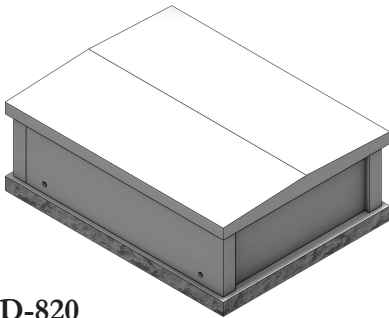
SD-817
PG. 27



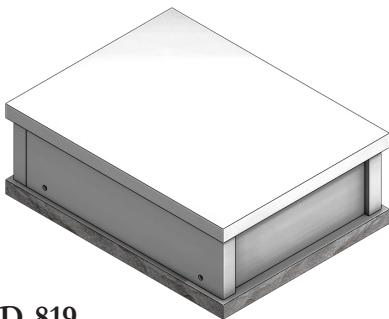
SD-818
PG. 29



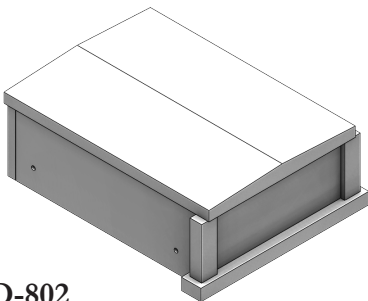
SD-800
PG. 31



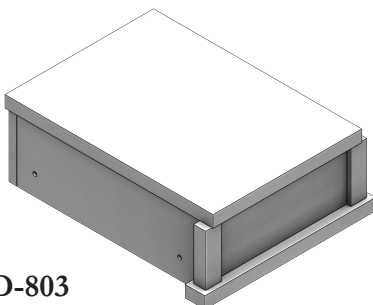
SD-820
PG. 33



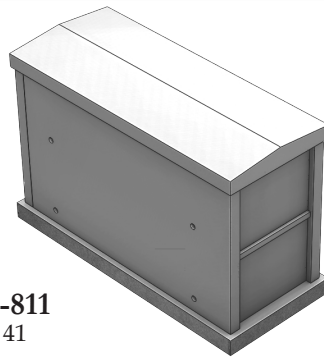
SD-819
PG. 35



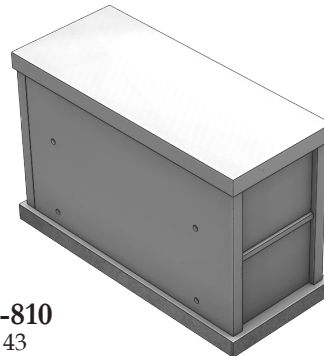
SD-802
PG. 37



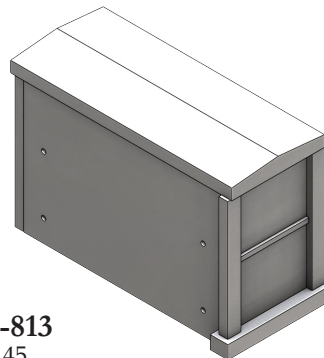
SD-803
PG. 39



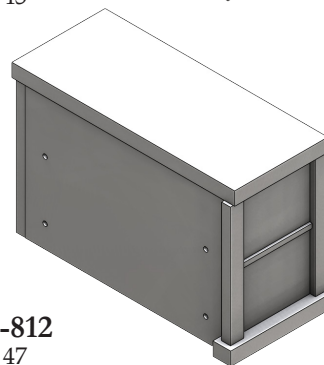
SD-811
PG. 41



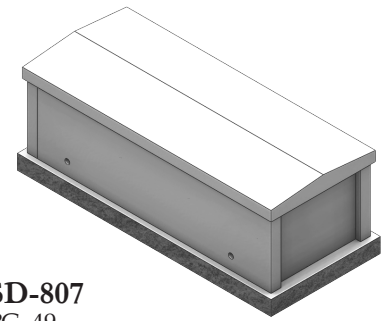
SD-810
PG. 43



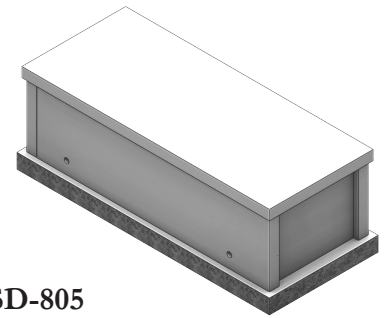
SD-813
PG. 45



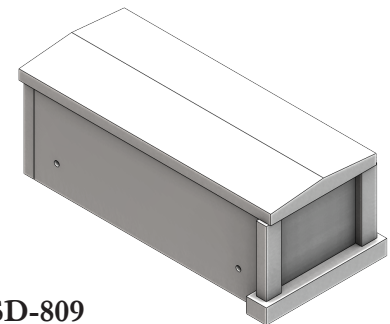
SD-812
PG. 47



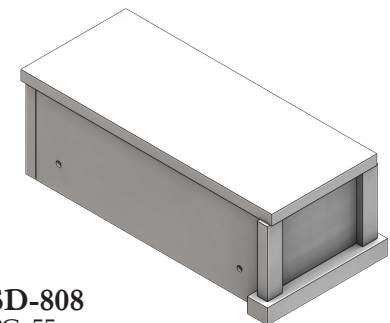
SD-807
PG. 49



SD-805
PG. 51



SD-809
PG. 53

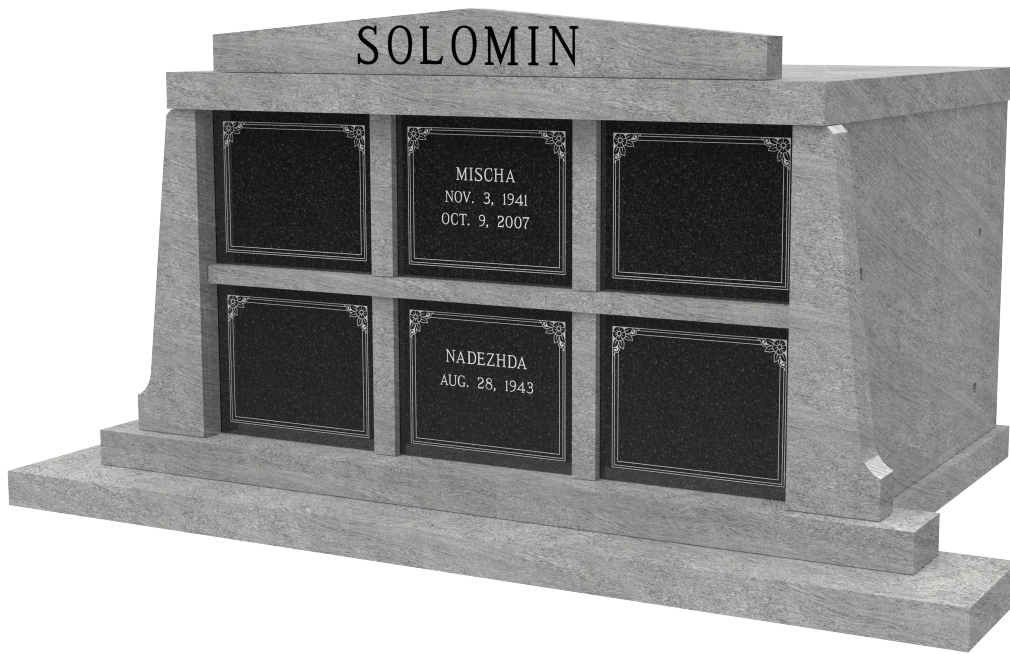


SD-808
PG. 55

Bench / Hardware / Vase Options.....PG. 57
 Pediment / Wing / Step Options.....PG. 59
 Sandblast / Etching / Carving Options.....PG. 61
 Custom Designs and Estate Concepts.....PG. 63
 Color Swatches.....PG. 65

SD-830

Six Crypt Design, Individual Doors, Flat Roof, Roof Top Pediment, Bevel Jamb, Step Style A



Shown above as Setup A in Silver Cloud

Domestic Granite Colors

- Star Blue
- Pink Pearl
- Morning Rose
- Canadian Mahogany
- Dakota Mahogany
- Silver Cloud
- Paradise Black
- Jet Mist

*Non-Stock Items Ship in
Approximately 90-120 Days*

Import Granite Colors

- Import Gray
- Import Barre Gray
- Absolute Black
- Bahama Blue
- Mocha
- India Red
- Celestial Red
- Indian Dakota
- India Mahogany

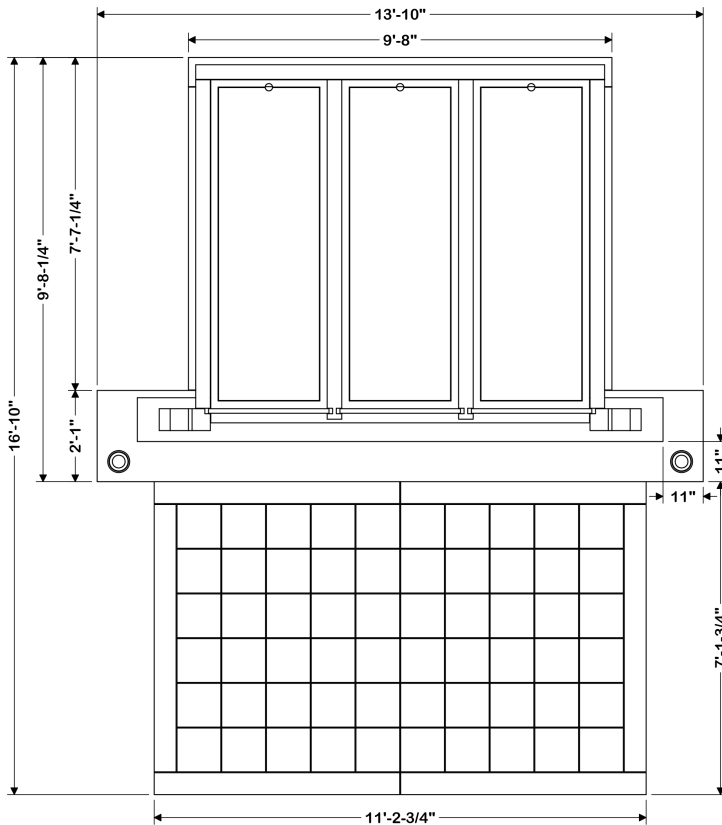
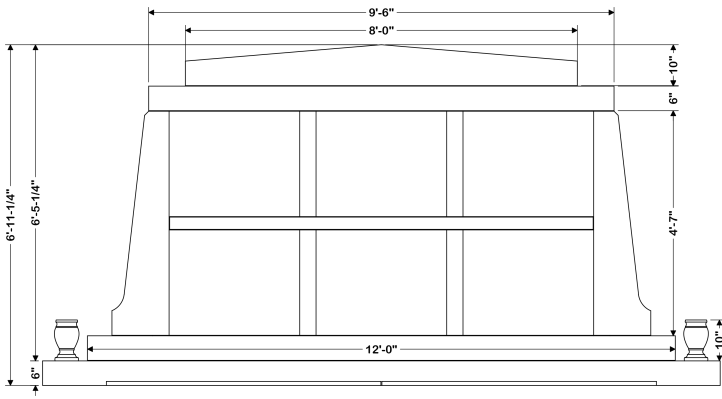
*Non-Stock Items Ship in
Approximately 90-180 Days*



3 Shown above as Setup C in Dakota Mahogany with a feature patio tile and an optional SD-004 bench

SD-830

Overall Design Dimensions and Standard Setup Options



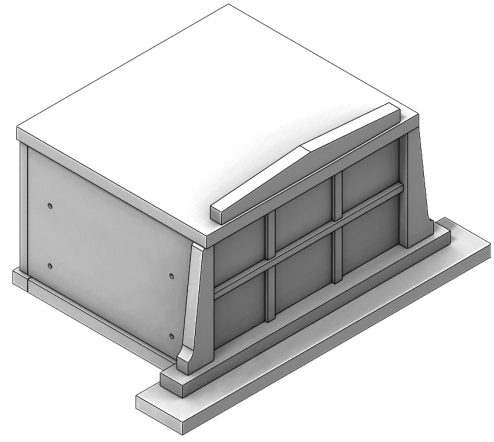
* Patio includes 6" polished coping, 1 1/4" thick, around flamed 12x12 pavers, 1 1/4" thick. All are set on a concrete pad with 1/4" grout lines.

* Overall dimensions noted are the approximate dimensions of the overall footprint. Foundation depth is determined by your local foundation building code.

Setup A

Mausoleum Only

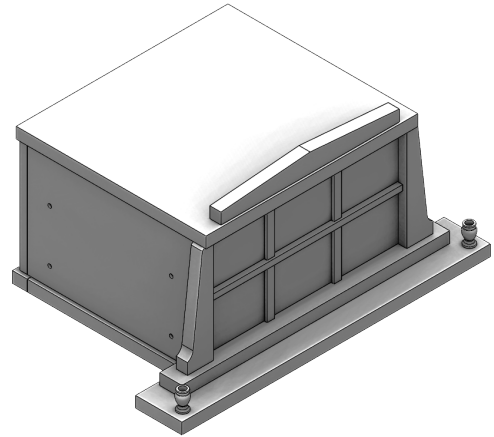
Recommended Site Dimensions are: 22' x 18'



Setup B

Mausoleum with Vase Option

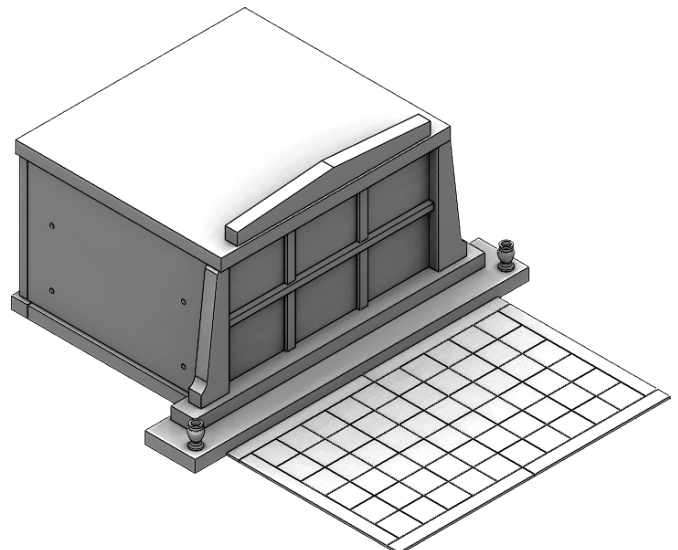
Recommended Site Dimensions are: 22' x 18'



Setup C

Mausoleum with Vase & Patio Options

Recommended Site Dimensions are: 22' x 25'



SD-831

Six Crypt Design, Gable Roof, Fluted Columns



Shown above as Setup B in Morning Rose

Domestic Granite Colors

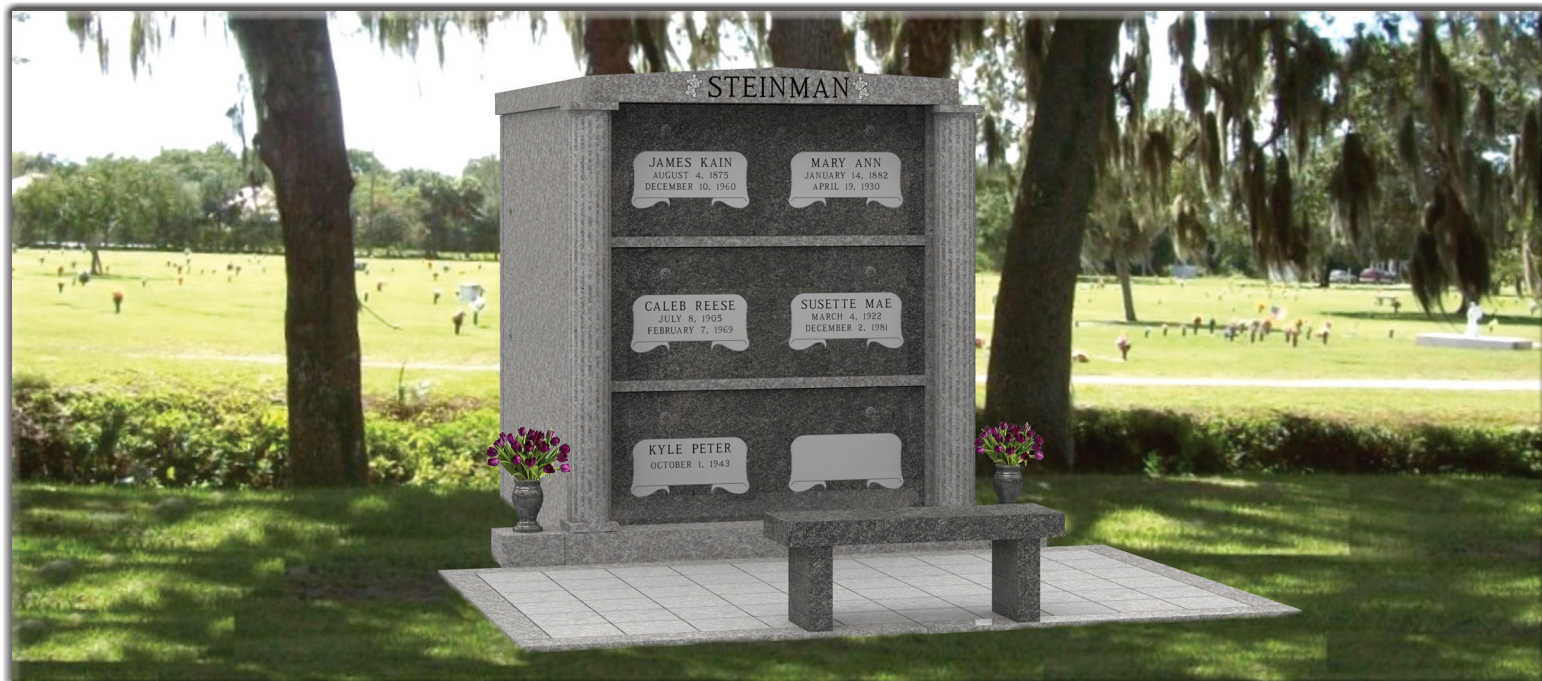
- Star Blue
- Pink Pearl
- Morning Rose
- Canadian Mahogany
- Dakota Mahogany
- Silver Cloud
- Paradise Black
- Jet Mist

*Non-Stock Items Ship in
Approximately 90-120 Days*

Import Granite Colors

- Import Gray
- Import Barre Gray
- Absolute Black
- Bahama Blue
- Mocha
- India Red
- Celestial Red
- Indian Dakota
- India Mahogany

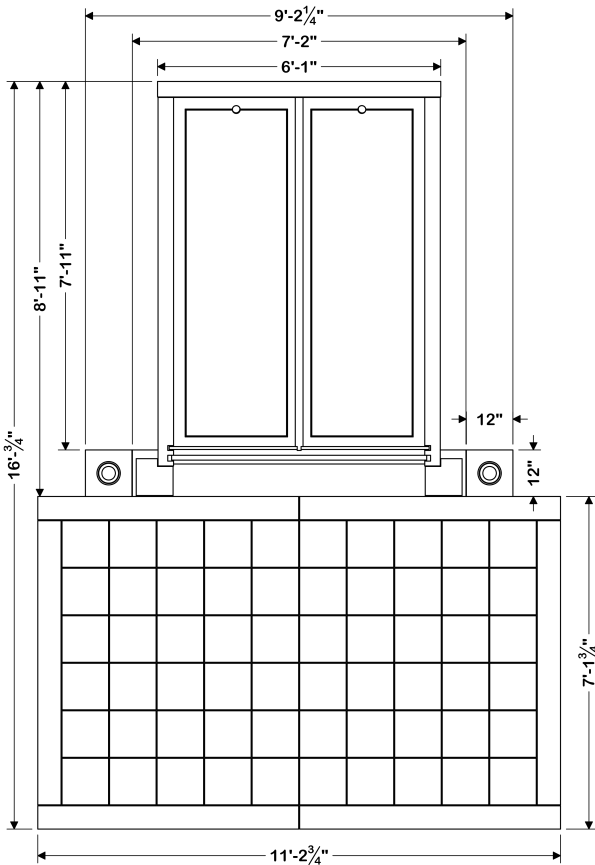
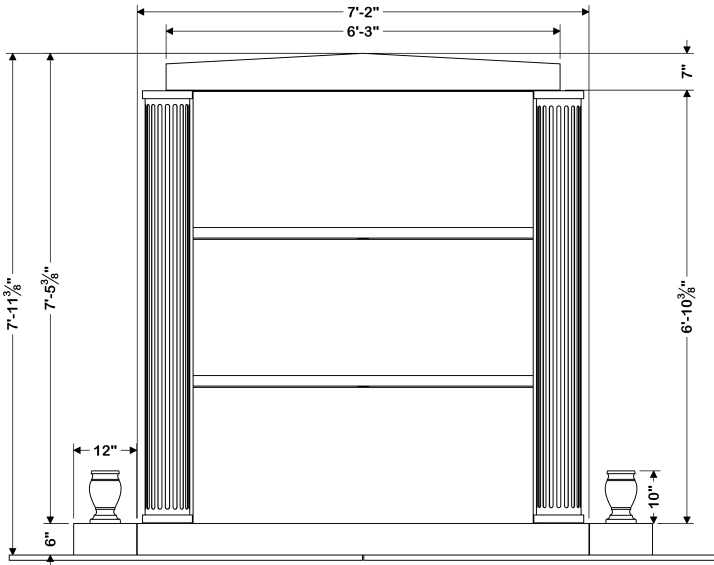
*Non-Stock Items Ship in
Approximately 90-180 Days*



Shown above as Setup C in Mocha and India Mahogany with an optional SD-001 bench

SD-831

Overall Design Dimensions and Standard Setup Options



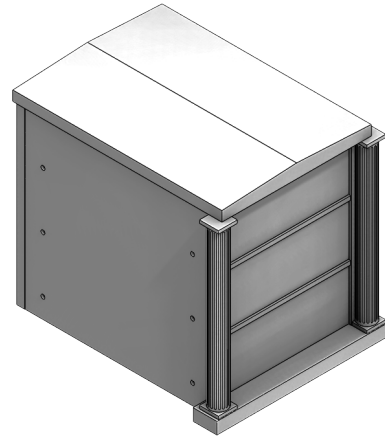
* Patio includes 6" polished coping, 1 1/4" thick, around flamed 12x12 pavers, 1 1/4" thick. All are set on a concrete pad with 1/4" grout lines.

* Overall dimensions noted are the approximate dimensions of the overall footprint. Foundation depth is determined by your local foundation building code.

Setup A

Mausoleum Only

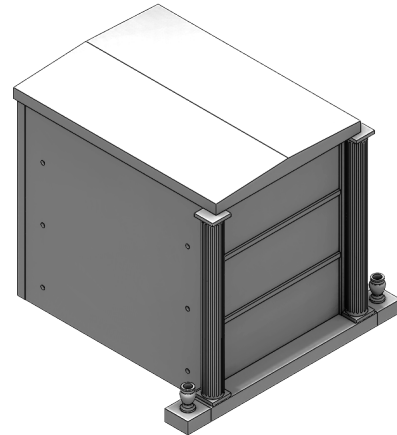
Recommended Site Dimensions are: 16' x 17'



Setup B

Mausoleum with Vase Option

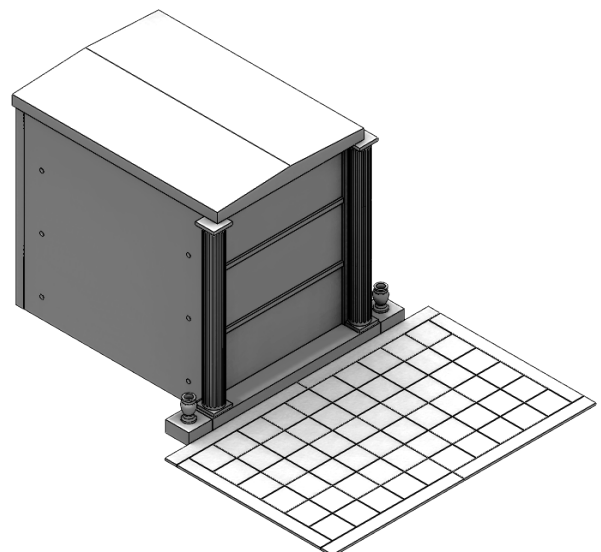
Recommended Site Dimensions are: 18' x 17'



Setup C

Mausoleum with Vase & Patio Options

Recommended Site Dimensions are: 20' x 25'



SD-815

Six Crypt Design, Gable Roof, Standard Jamb



Shown above as Setup A in Silver Cloud

Domestic Granite Colors

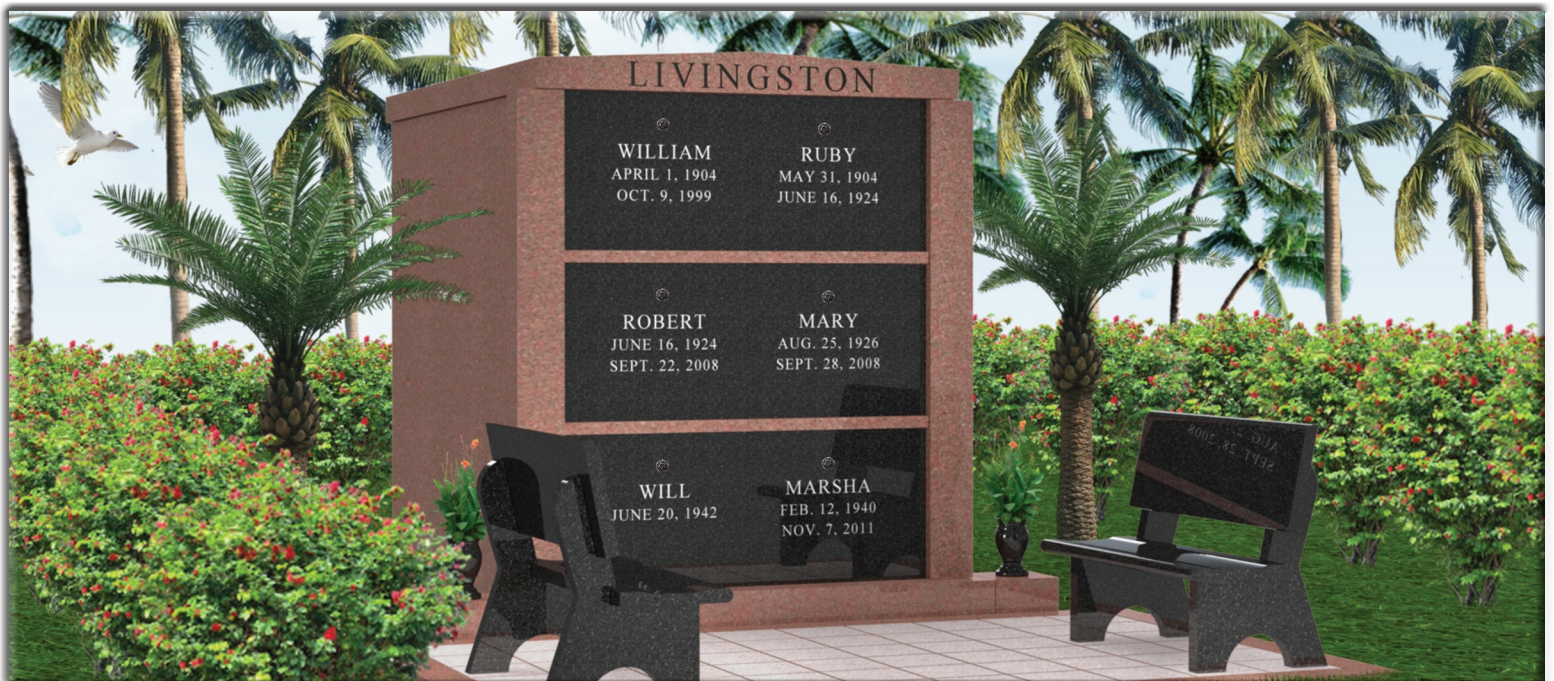
- Star Blue
- Pink Pearl
- Morning Rose
- Canadian Mahogany
- Dakota Mahogany
- Silver Cloud
- Paradise Black
- Jet Mist

*Non-Stock Items Ship in
Approximately 90-120 Days*

Import Granite Colors

- Import Gray
- Import Barre Gray
- Absolute Black
- Bahama Blue
- Mocha
- India Red
- Celestial Red
- Indian Dakota
- India Mahogany

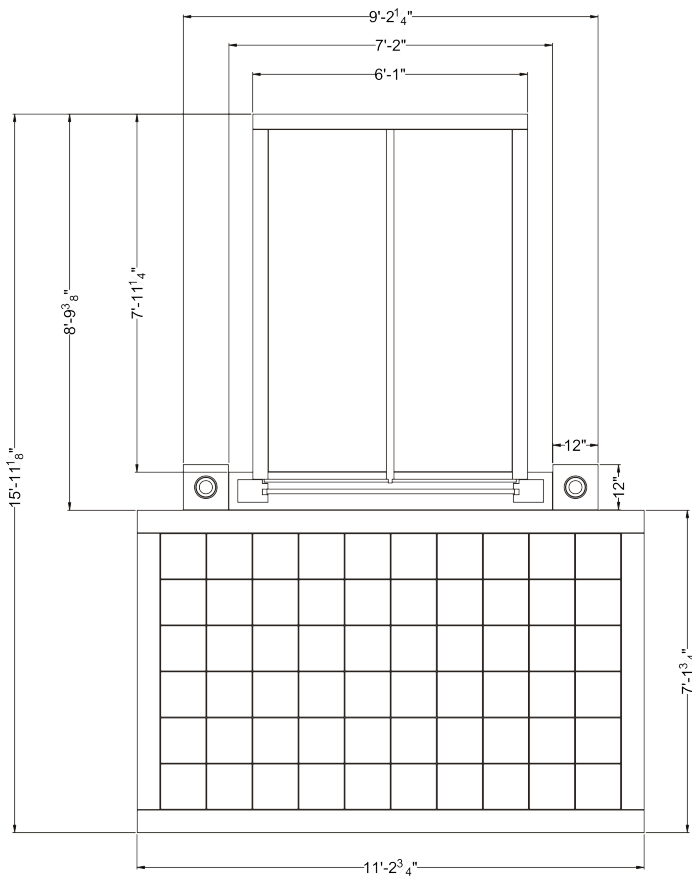
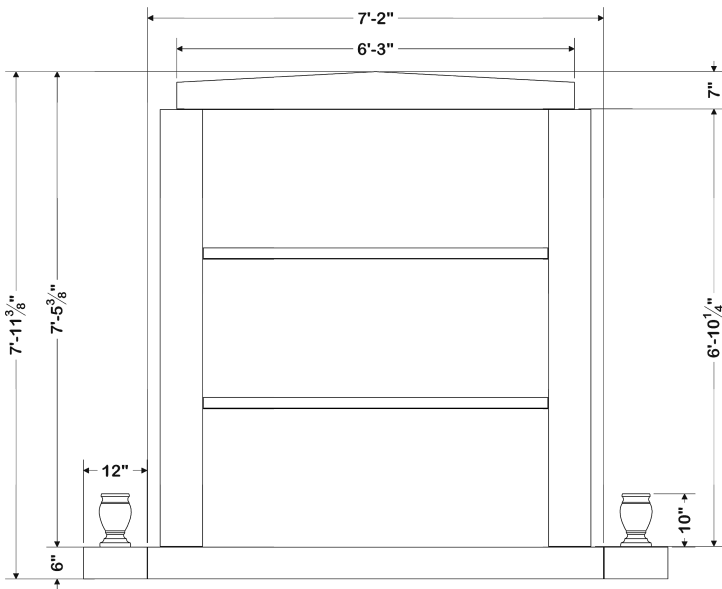
*Non-Stock Items Ship in
Approximately 90-180 Days*



Shown above as Setup C in Celestial Red with 2 optional SD-005 benches

SD-815

Overall Design Dimensions and Standard Setup Options



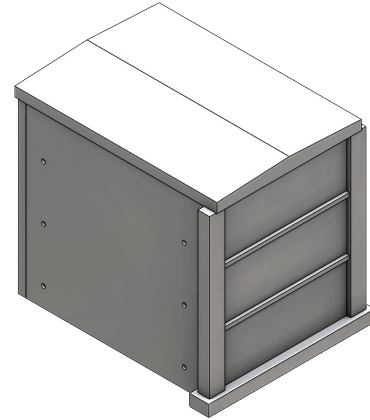
* Patio includes 6" polished coping, 1 1/4" thick, around flamed 12x12 pavers, 1 1/4" thick. All are set on a concrete pad with 1/4" grout lines.

* Overall dimensions noted are the approximate dimensions of the overall footprint. Foundation depth is determined by your local foundation building code.

Setup A

Mausoleum Only

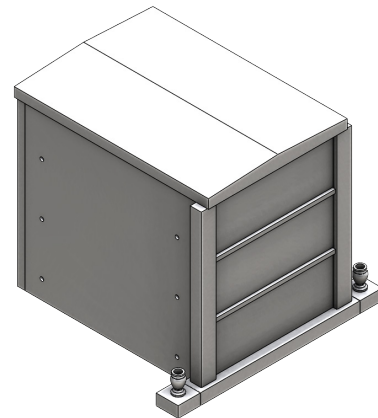
Recommended Site Dimensions are: 16' x 17'



Setup B

Mausoleum with Vase Option

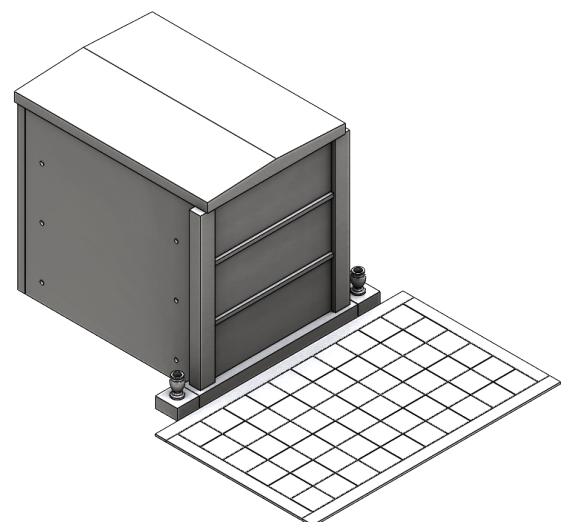
Recommended Site Dimensions are: 18' x 17'



Setup C

Mausoleum with Vase & Patio Options

Recommended Site Dimensions are: 20' x 25'



SD-814

Six Crypt Design, Flat Roof, Standard Jambs



Shown above as Setup B in Morning Rose

Domestic Granite Colors

- Star Blue
- Pink Pearl
- Morning Rose
- Canadian Mahogany
- Dakota Mahogany
- Silver Cloud
- Paradise Black
- Jet Mist

*Non-Stock Items Ship in
Approximately 90-120 Days*

Import Granite Colors

- Import Gray
- Import Barre Gray
- Absolute Black
- Bahama Blue
- Mocha
- India Red
- Celestial Red
- Indian Dakota
- India Mahogany

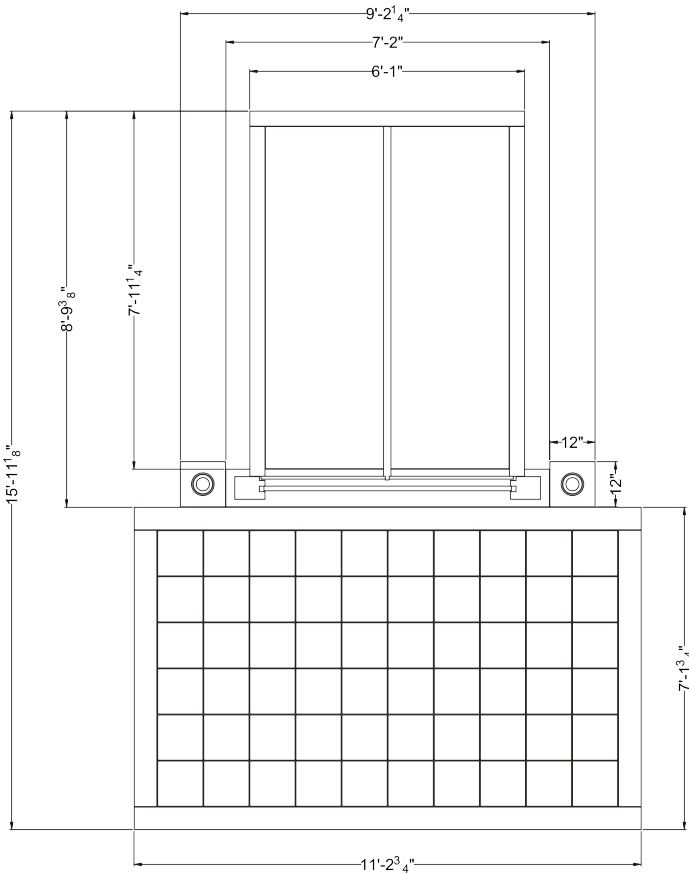
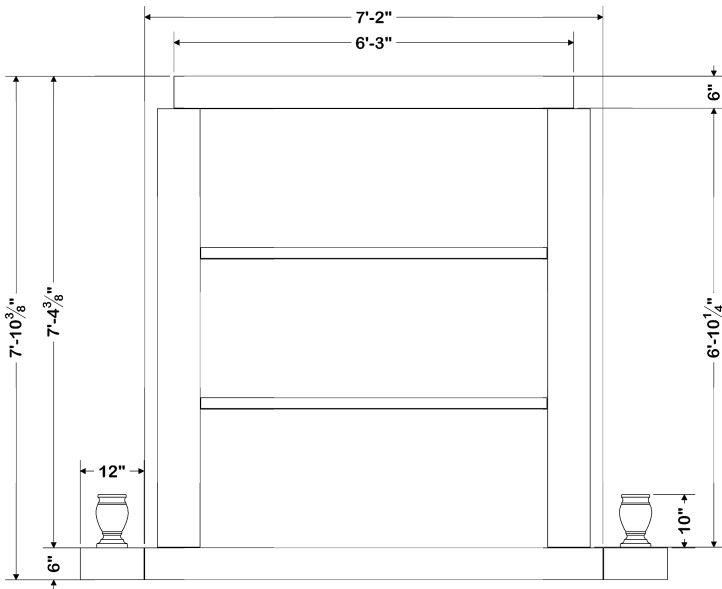
*Non-Stock Items Ship in
Approximately 90-180 Days*



Shown above as Setup C with 2 optional SD-001 benches

SD-814

Overall Design Dimensions and Standard Setup Options



* Patio includes 6" polished coping, 1 1/4" thick, around flamed 12x12 pavers, 1 1/4" thick. All are set on a concrete pad with 1/4" grout lines.

* Overall dimensions noted are the approximate dimensions of the overall footprint. Foundation depth is determined by your local foundation building code.

Setup A

Mausoleum Only

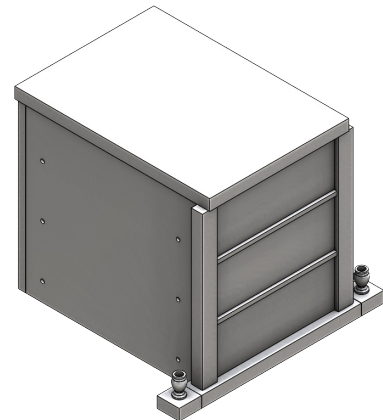
Recommended Site Dimensions are: 16' x 17'



Setup B

Mausoleum with Vase Option

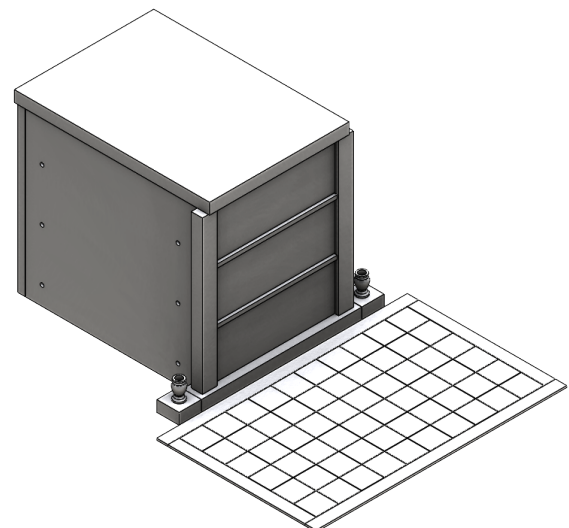
Recommended Site Dimensions are: 18' x 17'



Setup C

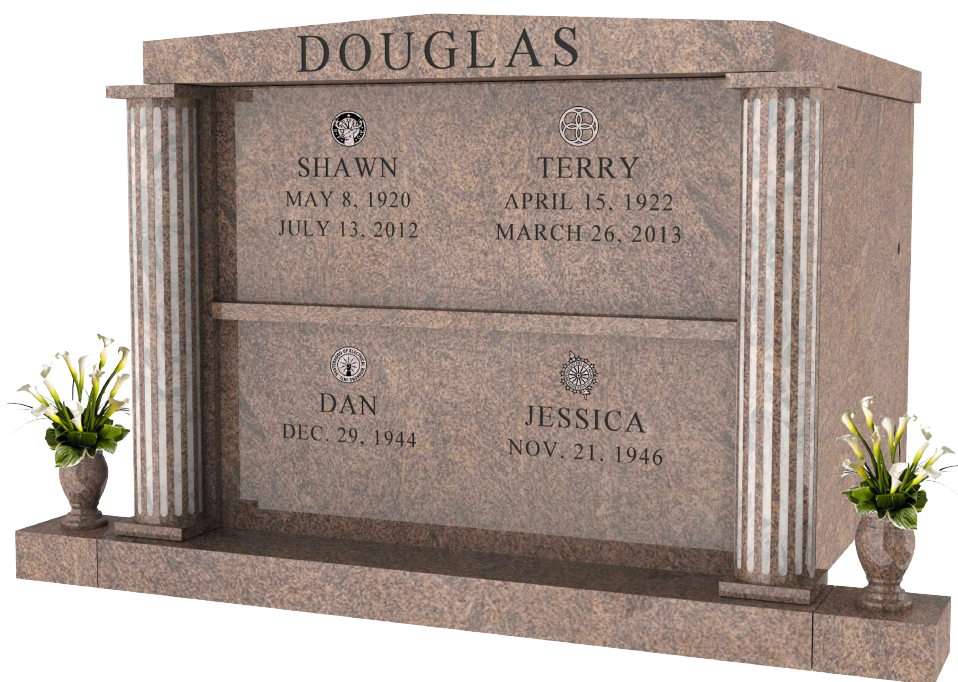
Mausoleum with Vase & Patio Options

Recommended Site Dimensions are: 20' x 25'



SD-816

Four Crypt Design, Gable Roof, Fluted Columns



Shown above as Setup B in Indian Dakota

Domestic Granite Colors

- Star Blue
- Pink Pearl
- Morning Rose
- Canadian Mahogany
- Dakota Mahogany
- Silver Cloud
- Paradise Black
- Jet Mist

*Non-Stock Items Ship in
Approximately 90-120 Days*

Import Granite Colors

- Import Gray
- Import Barre Gray
- Absolute Black
- Bahama Blue
- Mocha
- India Red
- Celestial Red
- Indian Dakota
- India Mahogany

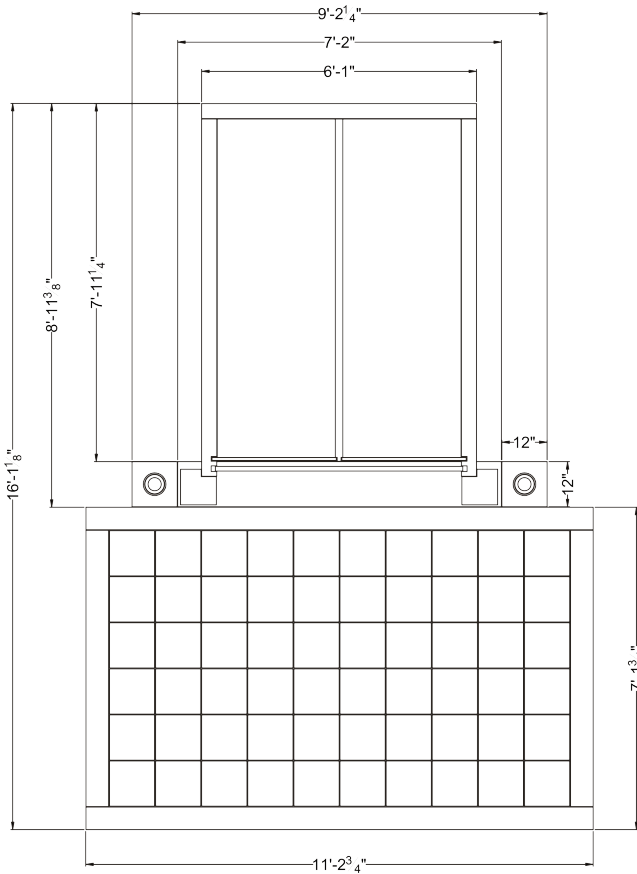
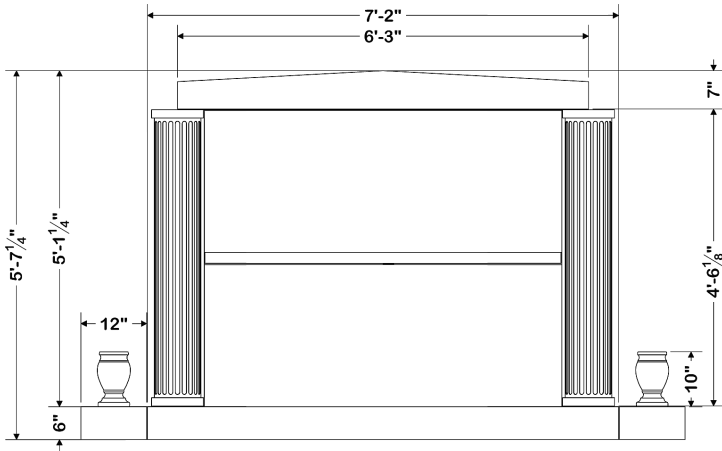
*Non-Stock Items Ship in
Approximately 90-180 Days*



Shown above as Setup C in Import Barre Gray with 2 optional SD-001 benches

SD-816

Overall Design Dimensions and Standard Setup Options



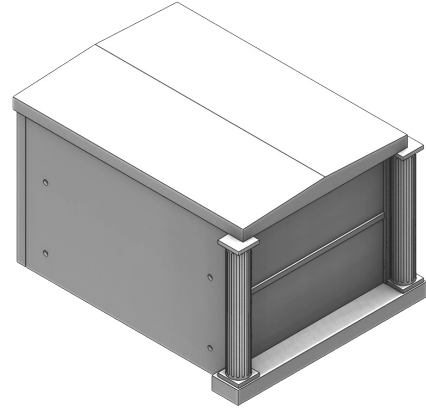
* Patio includes 6" polished coping, 1 1/4" thick, around flamed 12x12 pavers, 1 1/4" thick. All are set on a concrete pad with 1/4" grout lines.

* Overall dimensions noted are the approximate dimensions of the overall footprint. Foundation depth is determined by your local foundation building code.

Setup A

Mausoleum Only

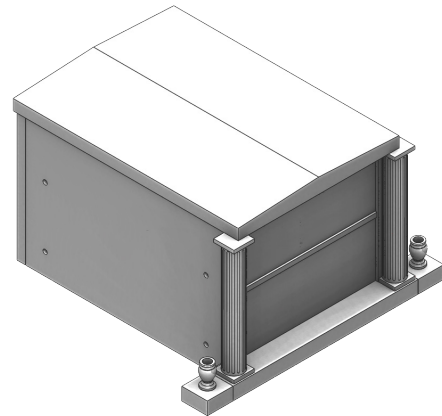
Recommended Site Dimensions are: 16' x 17'



Setup B

Mausoleum with Vase Option

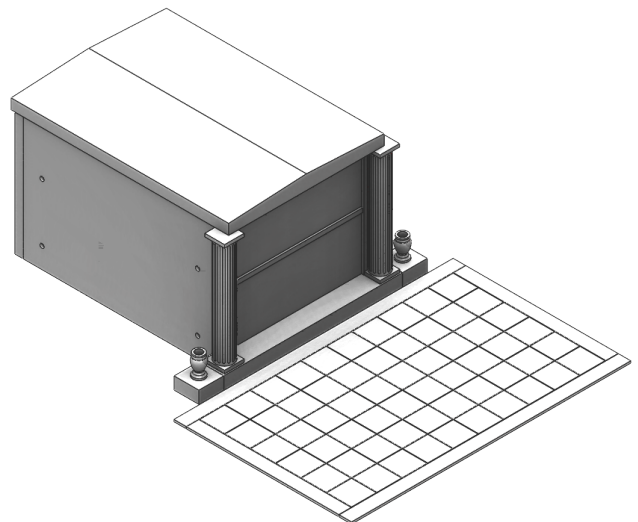
Recommended Site Dimensions are: 18' x 17'



Setup C

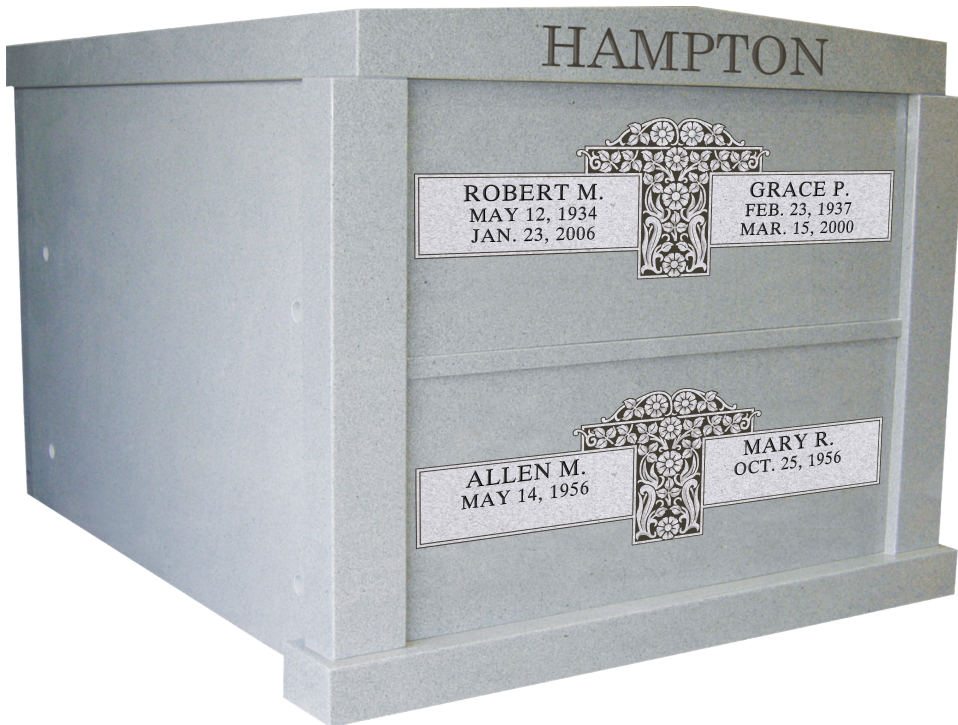
Mausoleum with Vase & Patio Options

Recommended Site Dimensions are: 20' x 25'



SD-804

Four Crypt Design, Gable Roof, Standard Jamb



Shown above as Setup A in Star Blue

Domestic Granite Colors

- Star Blue
- Pink Pearl
- Morning Rose
- Canadian Mahogany
- Dakota Mahogany
- Silver Cloud
- Paradise Black
- Jet Mist

*Non-Stock Items Ship in
Approximately 90-120 Days*

Import Granite Colors

- Import Gray
- Import Barre Gray
- Absolute Black
- Bahama Blue
- Mocha
- India Red
- Celestial Red
- Indian Dakota
- India Mahogany

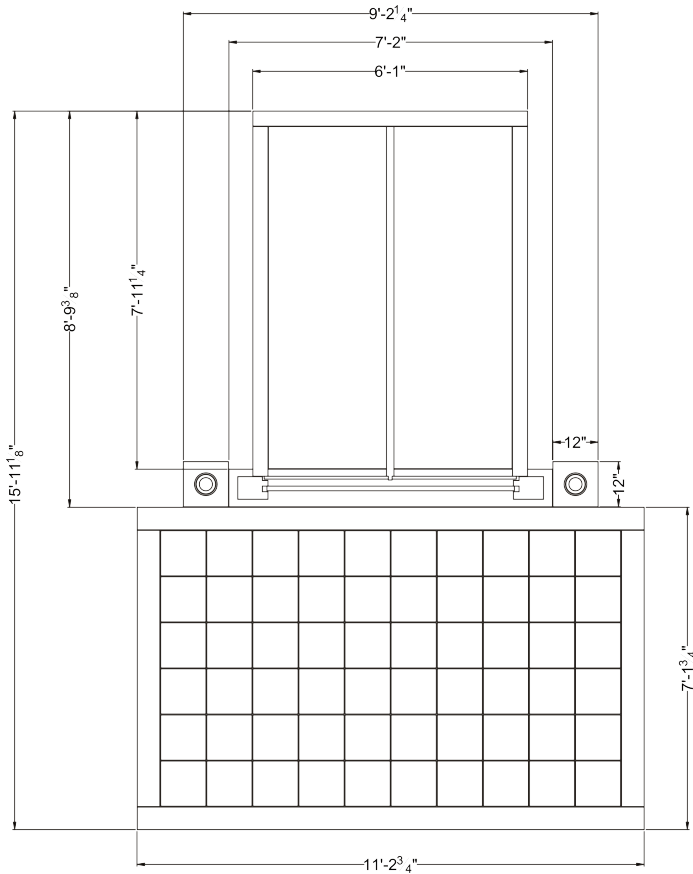
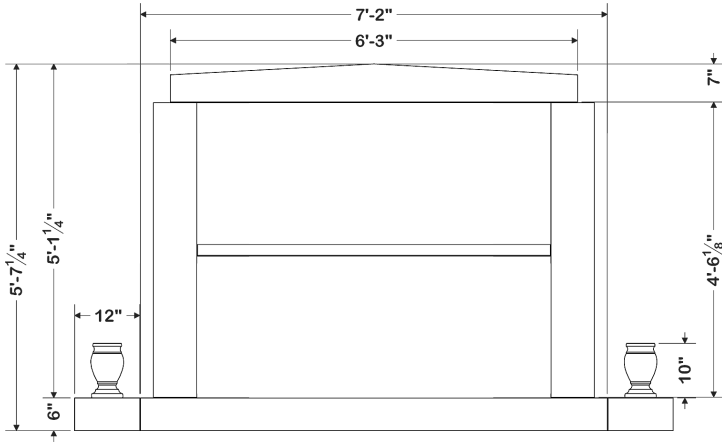
*Non-Stock Items Ship in
Approximately 90-180 Days*



Shown above as Setup C with 2 optional SD-004 benches

SD-804

Overall Design Dimensions and Standard Setup Options



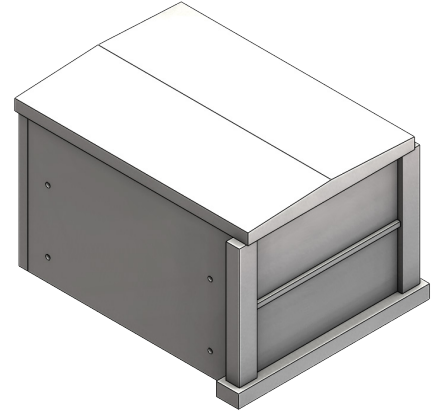
* Patio includes 6" polished coping, 1 1/4" thick, around flamed 12x12 pavers, 1 1/4" thick. All are set on a concrete pad with 1/4" grout lines.

* Overall dimensions noted are the approximate dimensions of the overall footprint. Foundation depth is determined by your local foundation building code.

Setup A

Mausoleum Only

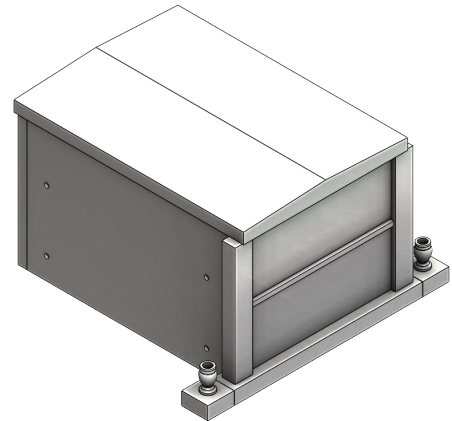
Recommended Site Dimensions are: 16' x 17'



Setup B

Mausoleum with Vase Option

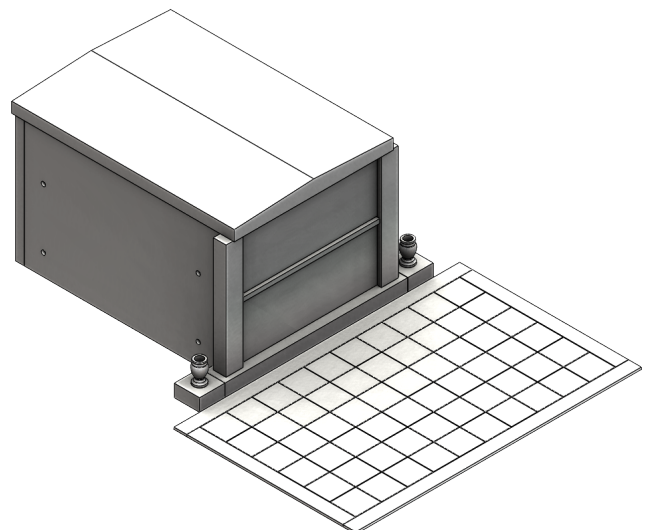
Recommended Site Dimensions are: 18' x 17'



Setup C

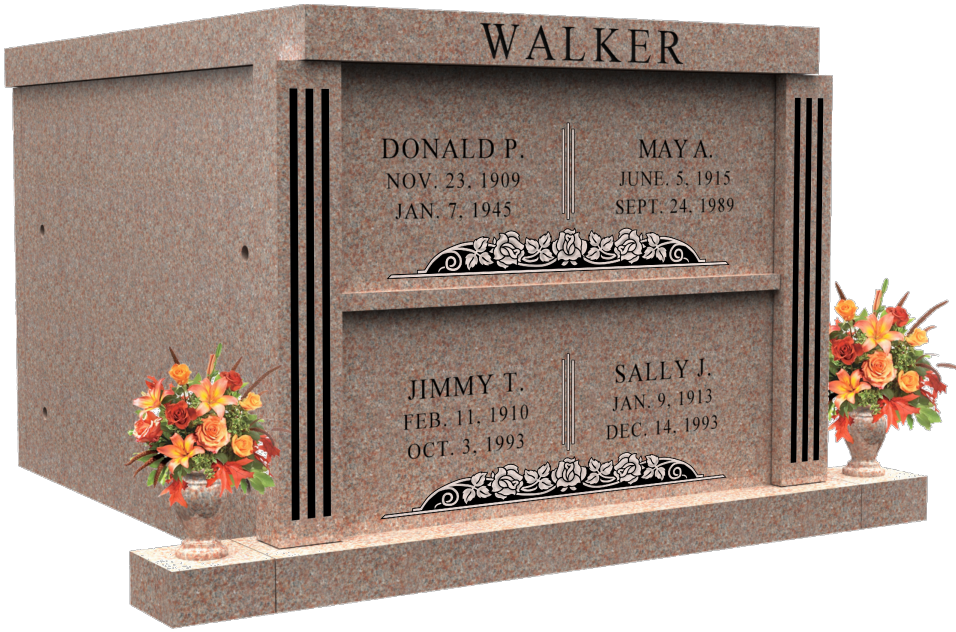
Mausoleum with Vase & Patio Options

Recommended Site Dimensions are: 20' x 25'



SD-806

Four Crypt Design, Flat Roof, Standard Jambs



Shown above as Setup B in Morning Rose

Domestic Granite Colors

- Star Blue
- Pink Pearl
- Morning Rose
- Canadian Mahogany
- Dakota Mahogany
- Silver Cloud
- Paradise Black
- Jet Mist

*Non-Stock Items Ship in
Approximately 90-120 Days*

Import Granite Colors

- Import Gray
- Import Barre Gray
- Absolute Black
- Bahama Blue
- Mocha
- India Red
- Celestial Red
- Indian Dakota
- India Mahogany

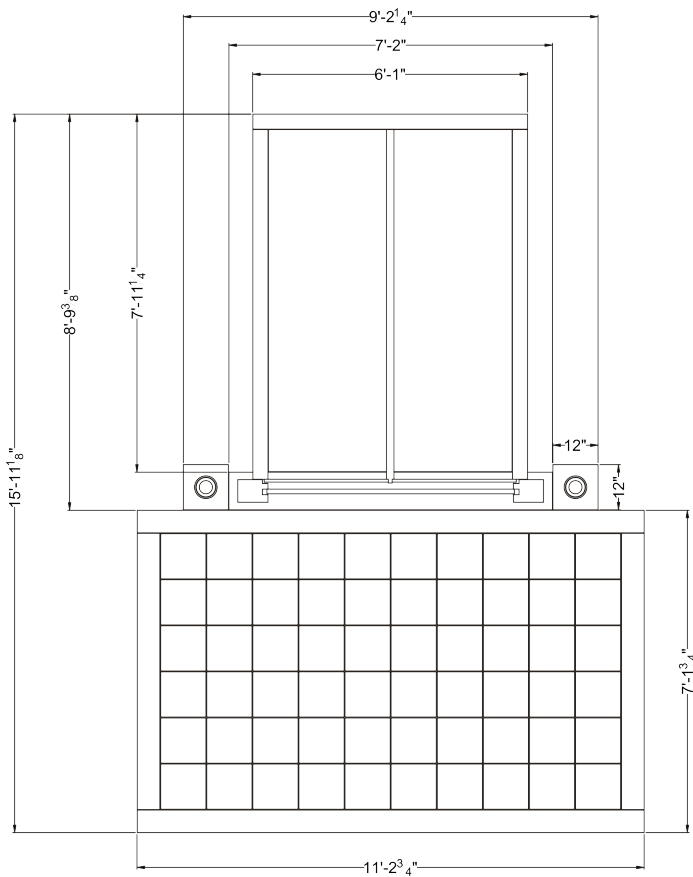
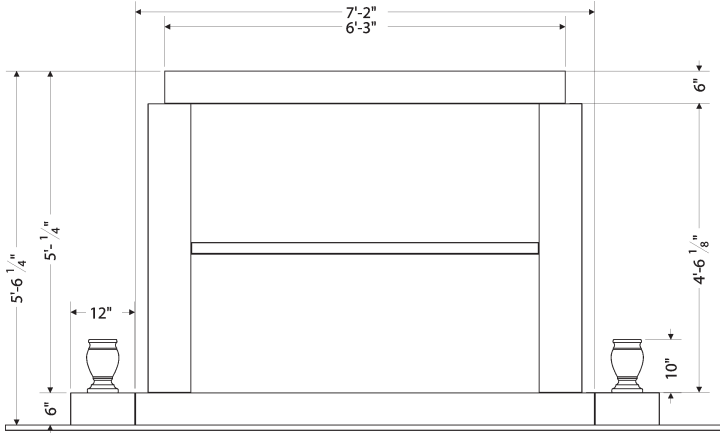
*Non-Stock Items Ship in
Approximately 90-180 Days*



Shown above as Setup C in Bahama Blue with 2 optional SD-004 benches

SD-806

Overall Design Dimensions and Standard Setup Options



* Patio includes 6" polished coping, 1 1/4" thick, around flamed 12x12 pavers, 1 1/4" thick. All are set on a concrete pad with 1/4" grout lines.

* Overall dimensions noted are the approximate dimensions of the overall footprint. Foundation depth is determined by your local foundation building code.

Setup A

Mausoleum Only

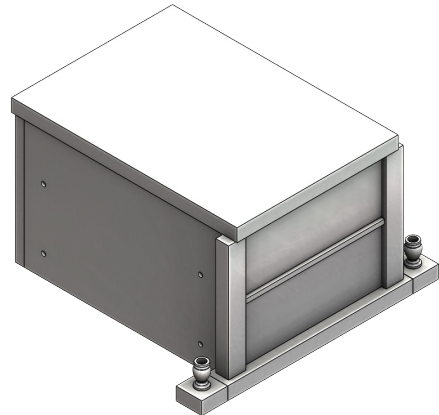
Recommended Site Dimensions are: 16' x 17'



Setup B

Mausoleum with Vase Option

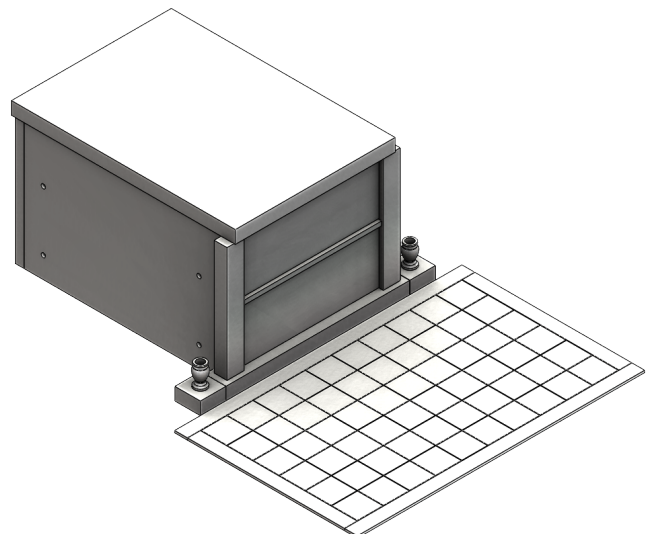
Recommended Site Dimensions are: 18' x 17'



Setup C

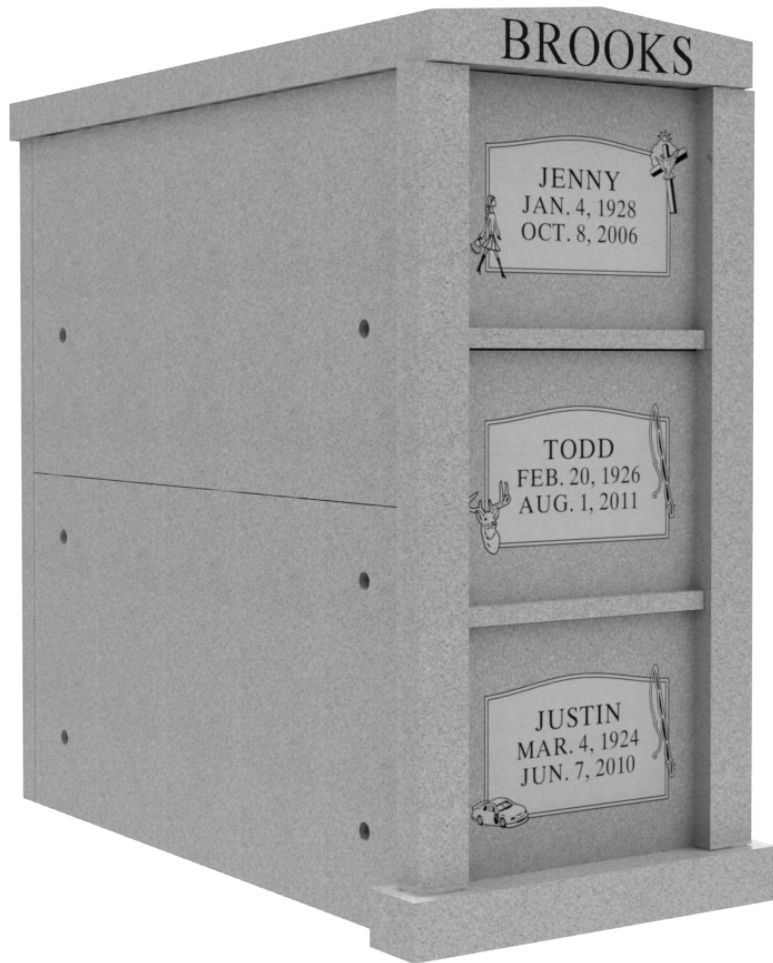
Mausoleum with Vase & Patio Options

Recommended Site Dimensions are: 20' x 25'



SD-828

Three Crypt Design, Gable Roof, Standard Jambs



Shown above as Setup A in Star Blue

Domestic Granite Colors

- Star Blue
- Pink Pearl
- Morning Rose
- Canadian Mahogany
- Dakota Mahogany
- Silver Cloud
- Paradise Black
- Jet Mist

*Non-Stock Items Ship in
Approximately 90-120 Days*

Import Granite Colors

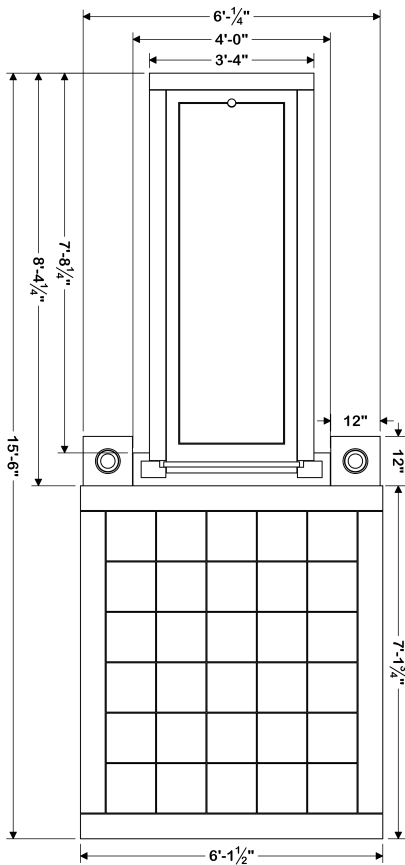
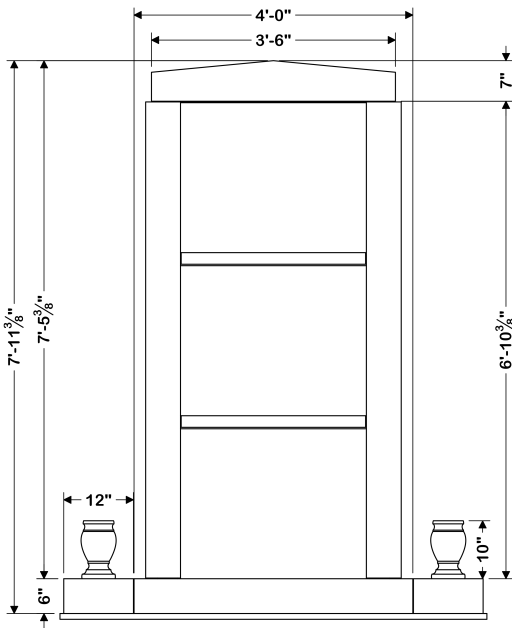
- Import Gray
- Import Barre Gray
- Absolute Black
- Bahama Blue
- Mocha
- India Red
- Celestial Red
- Indian Dakota
- India Mahogany

*Non-Stock Items Ship in
Approximately 90-180 Days*



SD-828

Overall Design Dimensions and Standard Setup Options



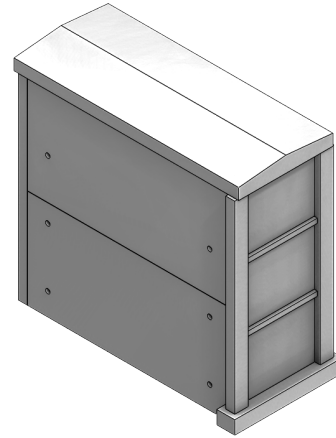
* Patio includes 6" polished coping, 1 1/4" thick, around flamed 12x12 pavers, 1 1/4" thick. All are set on a concrete pad with 1/4" grout lines.

* Overall dimensions noted are the approximate dimensions of the overall footprint. Foundation depth is determined by your local foundation building code.

Setup A

Mausoleum Only

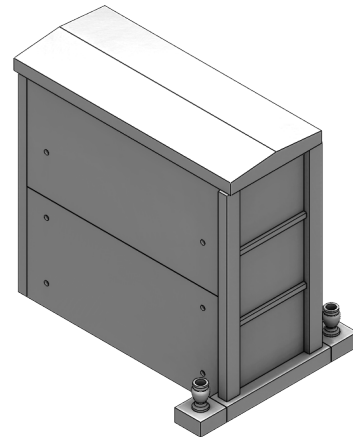
Recommended Site Dimensions are: 12' x 17'



Setup B

Mausoleum with Vase Option

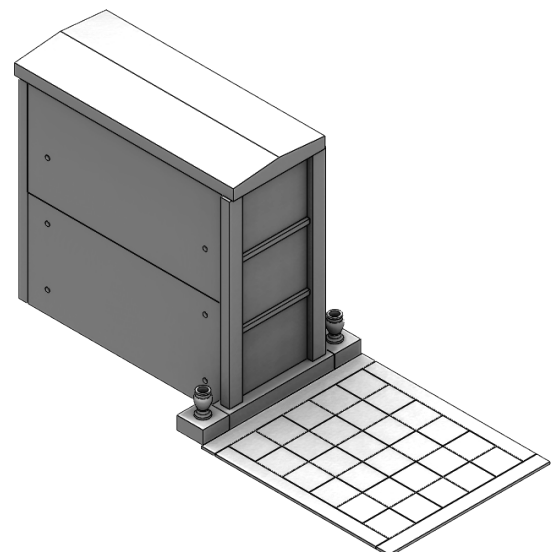
Recommended Site Dimensions are: 14' x 17'



Setup C

Mausoleum with Vase & Patio Options

Recommended Site Dimensions are: 15' x 25'



SD-829

Three Crypt Design, Flat Roof, Standard Jamb



Shown above as Setup A in India Red

Domestic Granite Colors

- Star Blue
- Pink Pearl
- Morning Rose
- Canadian Mahogany
- Dakota Mahogany
- Silver Cloud
- Paradise Black
- Jet Mist

*Non-Stock Items Ship in
Approximately 90-120 Days*

Import Granite Colors

- Import Gray
- Import Barre Gray
- Absolute Black
- Bahama Blue
- Mocha
- India Red
- Celestial Red
- Indian Dakota
- India Mahogany

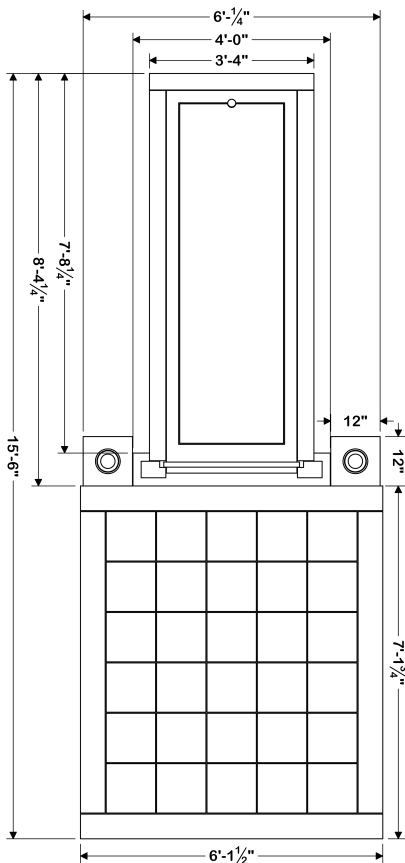
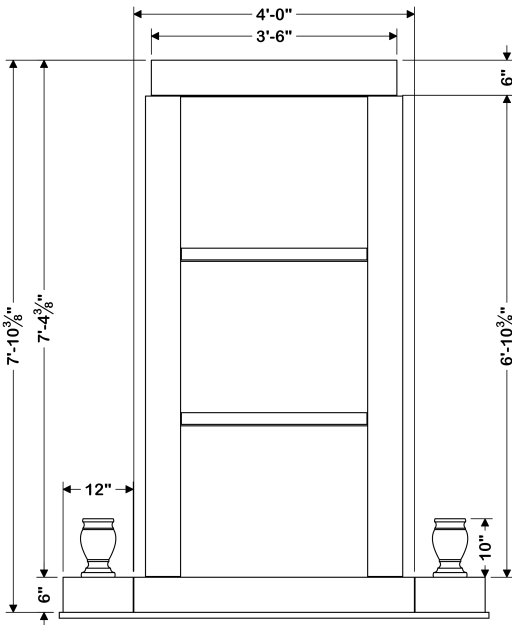
*Non-Stock Items Ship in
Approximately 90-180 Days*



Shown above as Setup C in India Mahogany with an optional SD-001 bench

SD-829

Overall Design Dimensions and Standard Setup Options



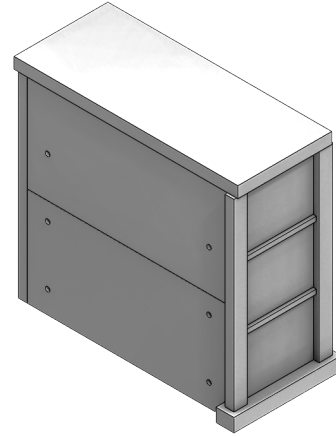
* Patio includes 6" polished coping, 1 1/4" thick, around flamed 12x12 pavers, 1 1/4" thick. All are set on a concrete pad with 1/4" grout lines.

* Overall dimensions noted are the approximate dimensions of the overall footprint. Foundation depth is determined by your local foundation building code.

Setup A

Mausoleum Only

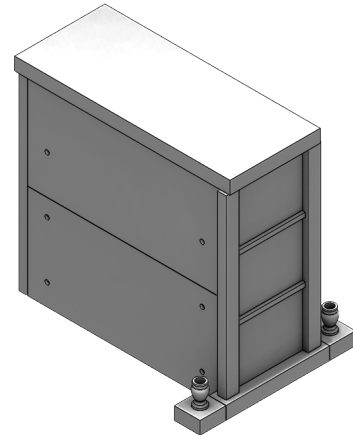
Recommended Site Dimensions are: 12' x 17'



Setup B

Mausoleum with Vase Option

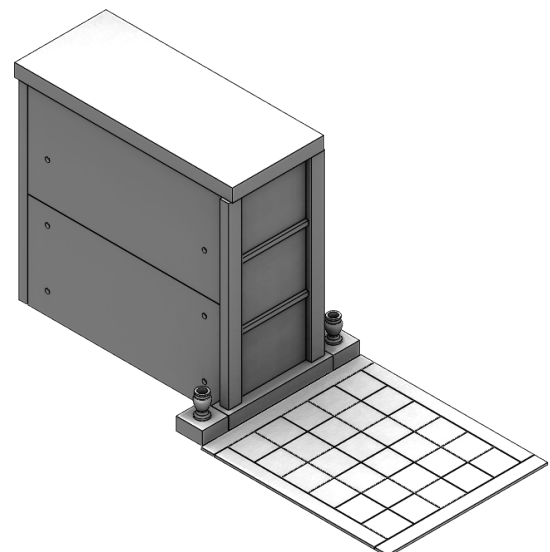
Recommended Site Dimensions are: 14' x 17'



Setup C

Mausoleum with Vase & Patio Options

Recommended Site Dimensions are: 15' x 25'



SD-827

Three Crypt Design, Four Piece Roof, Standard Jambs



Shown above as Setup A in Dakota Mahogany

Domestic Granite Colors

- Star Blue
- Pink Pearl
- Morning Rose
- Canadian Mahogany
- Dakota Mahogany
- Silver Cloud
- Paradise Black
- Jet Mist

*Non-Stock Items Ship in
Approximately 90-120 Days*

Import Granite Colors

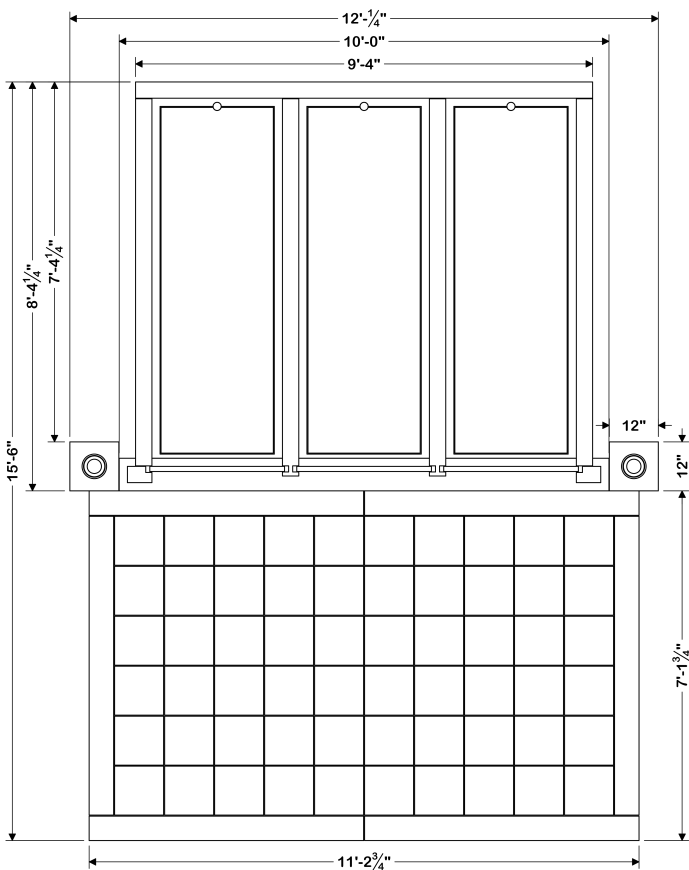
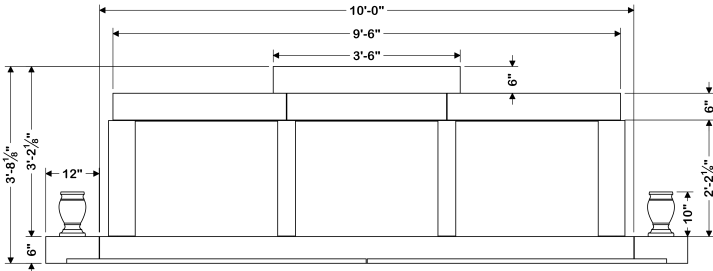
- Import Gray
- Import Barre Gray
- Absolute Black
- Bahama Blue
- Mocha
- India Red
- Celestial Red
- Indian Dakota
- India Mahogany

*Non-Stock Items Ship in
Approximately 90-180 Days*

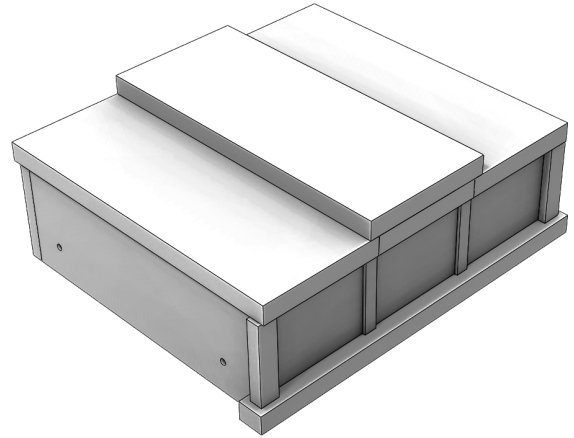


SD-827

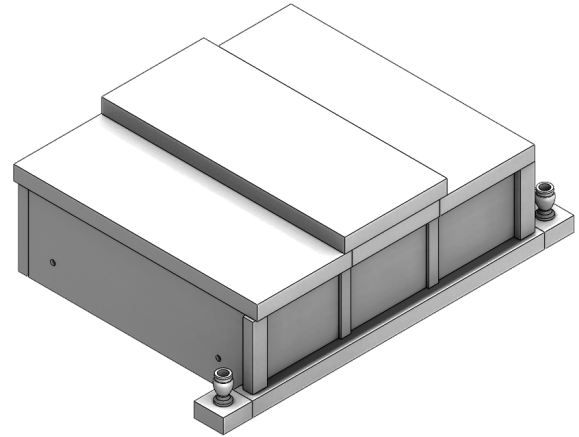
Overall Design Dimensions and Standard Setup Options



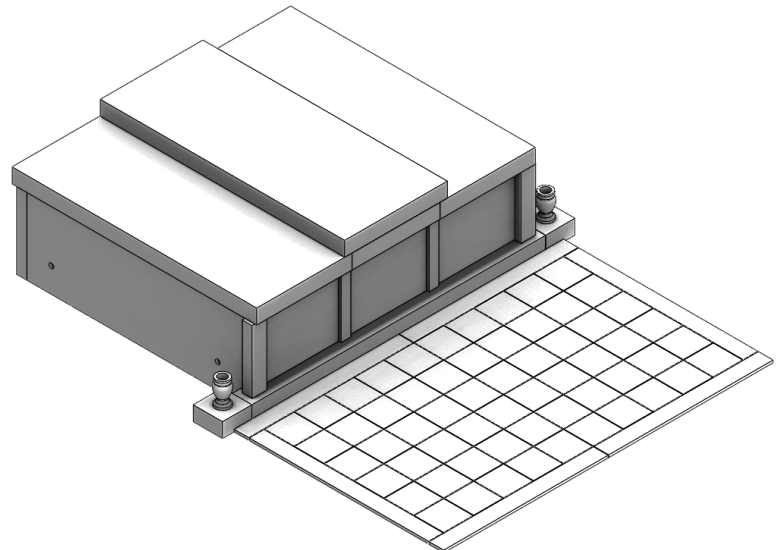
Setup A
Mausoleum Only
Recommended Site Dimensions are: 18' x 17'



Setup B
Mausoleum with Vase Option
Recommended Site Dimensions are: 20' x 17'



Setup C
Mausoleum with Vase & Patio Options
Recommended Site Dimensions are: 25' x 25'



* Patio includes 6" polished coping, 1 1/4" thick, around flamed 12x12 pavers, 1 1/4" thick. All are set on a concrete pad with 1/4" grout lines.

* Overall dimensions noted are the approximate dimensions of the overall footprint. Foundation depth is determined by your local foundation building code.

SD-826

Three Crypt Design, Flat Roof, No Jambs, Exposed Granite Floor

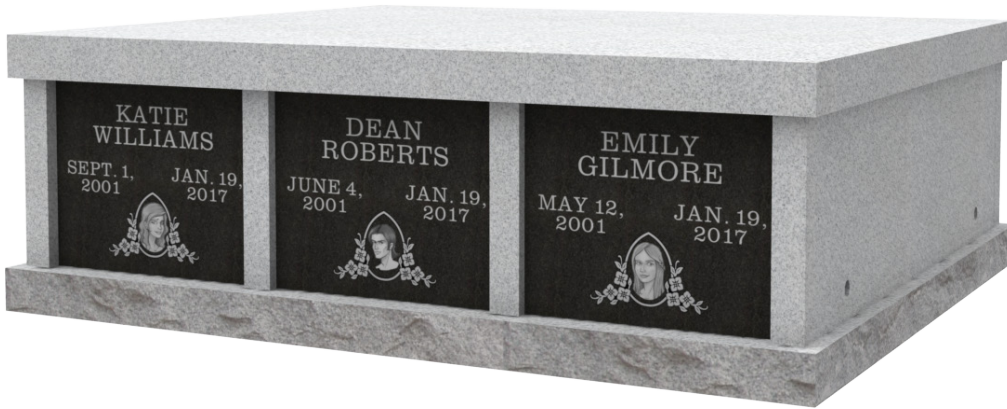
Domestic Granite Colors

- Star Blue
- Pink Pearl
- Morning Rose
- Canadian Mahogany
- Dakota Mahogany
- Silver Cloud
- Paradise Black
- Jet Mist

*Non-Stock Items Ship in
Approximately 90-120 Days*

Import Granite Colors

Contact your
sales associate for
Import Options

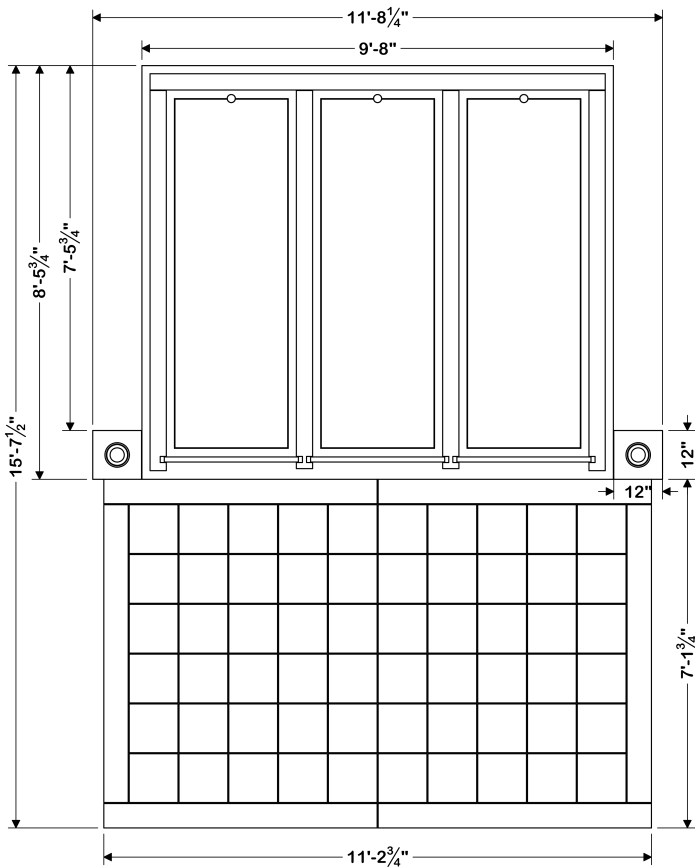
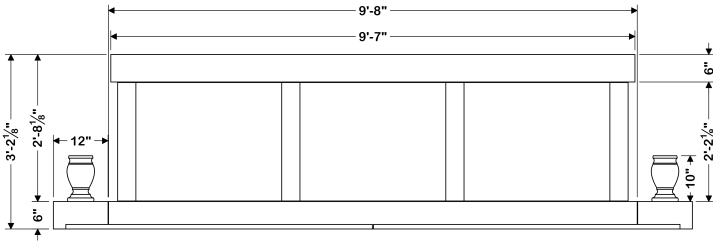


Shown above as Setup A in Star Blue



SD-826

Overall Design Dimensions and Standard Setup Options



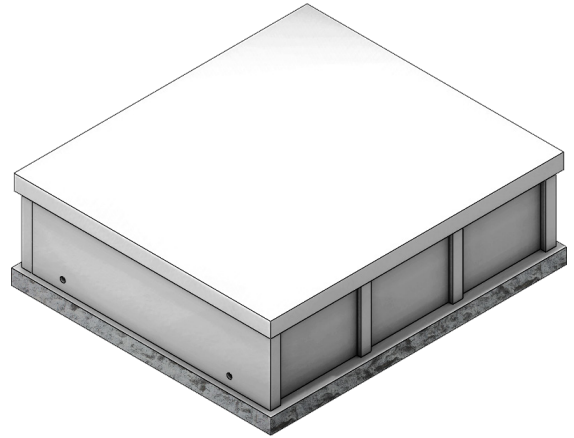
* Patio includes 6" polished coping, 1 1/4" thick, around flamed 12x12 pavers, 1 1/4" thick. All are set on a concrete pad with 1/4" grout lines.

* Overall dimensions noted are the approximate dimensions of the overall footprint. Foundation depth is determined by your local foundation building code.

Setup A

Mausoleum Only

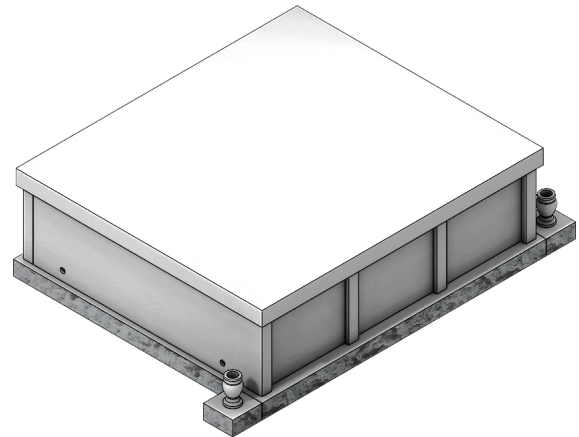
Recommended Site Dimensions are: 18' x 17'



Setup B

Mausoleum with Vase Option

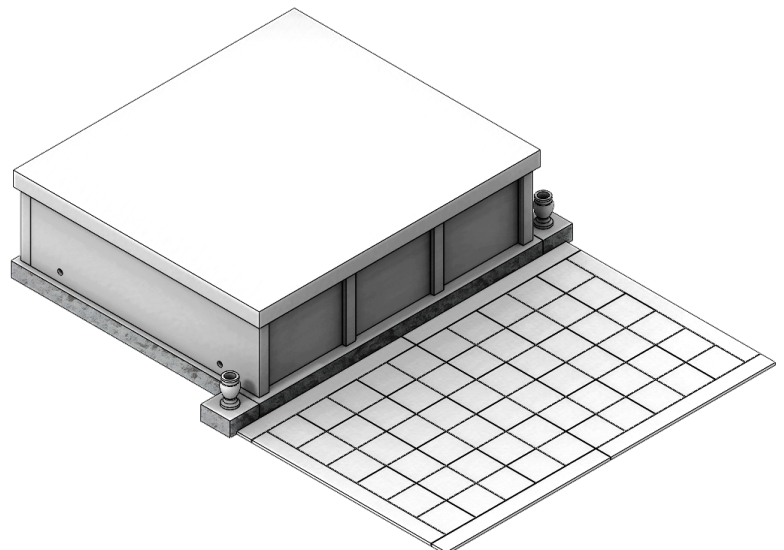
Recommended Site Dimensions are: 20' x 17'



Setup C

Mausoleum with Vase & Patio Options

Recommended Site Dimensions are: 25' x 25'



SD-825

Three Crypt Design, Flat Roof, Standard Jamb



Domestic Granite Colors

- Star Blue
- Pink Pearl
- Morning Rose
- Canadian Mahogany
- Dakota Mahogany
- Silver Cloud
- Paradise Black
- Jet Mist

*Non-Stock Items Ship in
Approximately 90-120 Days*

Import Granite Colors

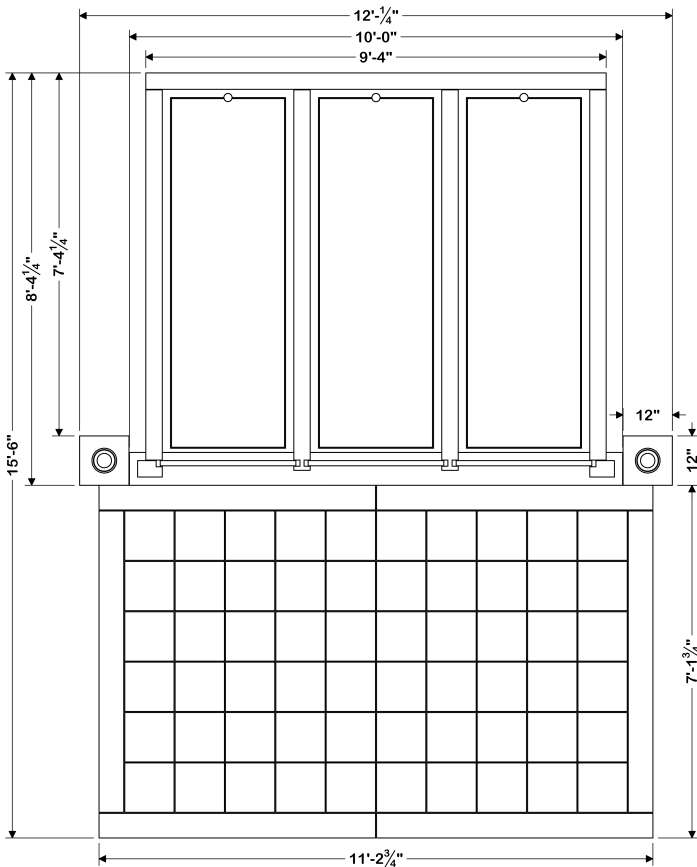
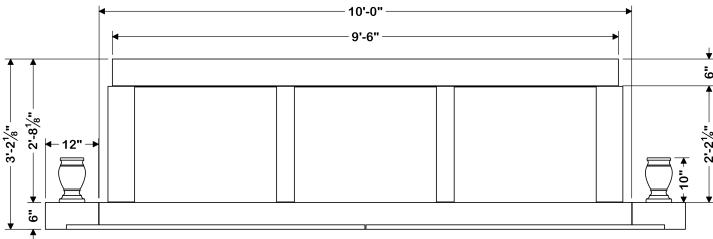
Contact your
sales associate for
Import Options

Shown above as Setup A in Morning Rose



SD-825

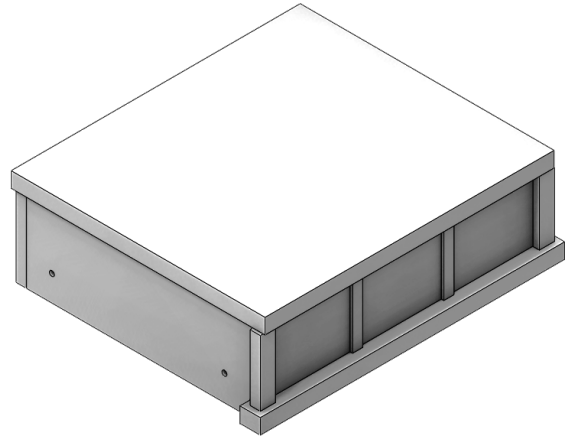
Overall Design Dimensions and Standard Setup Options



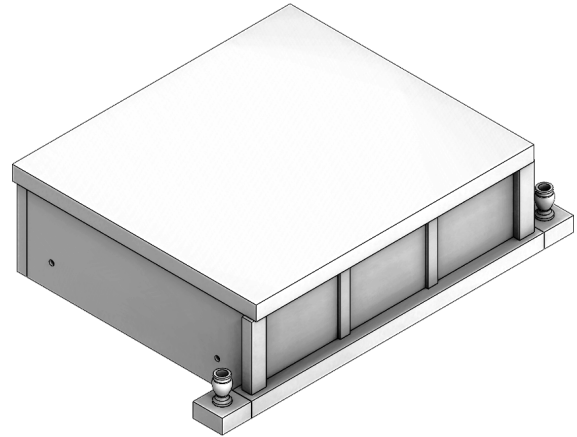
* Patio includes 6" polished coping, 1 1/4" thick, around flamed 12x12 pavers, 1 1/4" thick. All are set on a concrete pad with 1/4" grout lines.

* Overall dimensions noted are the approximate dimensions of the overall footprint. Foundation depth is determined by your local foundation building code.

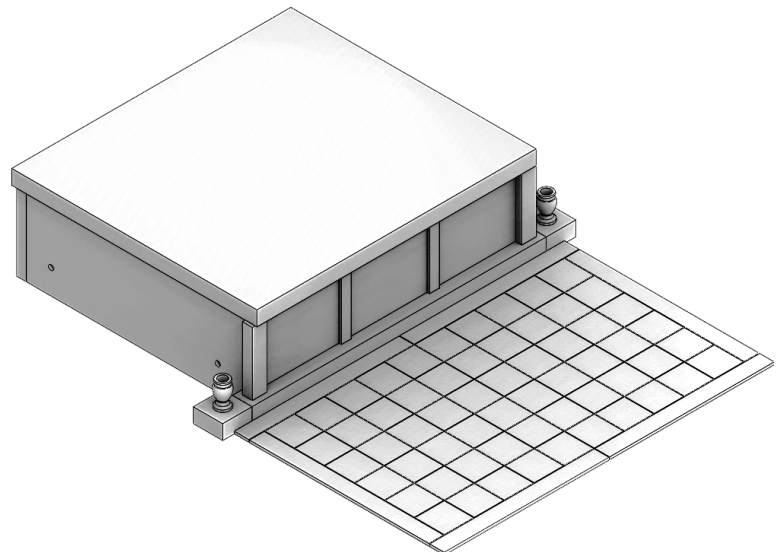
Setup A
Mausoleum Only
Recommended Site Dimensions are: 18' x 17'



Setup B
Mausoleum with Vase Option
Recommended Site Dimensions are: 20' x 17'

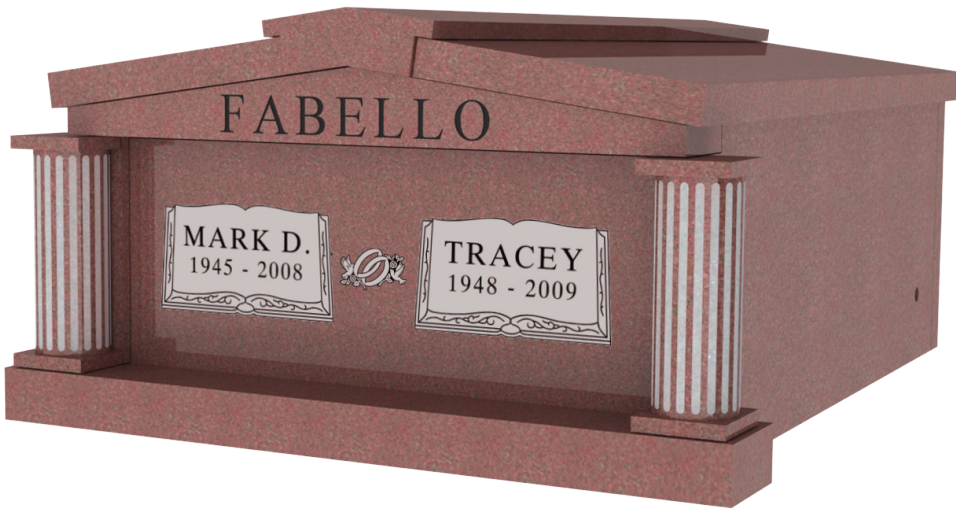


Setup C
Mausoleum with Vase & Patio Options
Recommended Site Dimensions are: 25' x 25'



SD-817

Two Crypt Design, Keystone Roof, Round Fluted Columns



Shown above as Setup A in India Red

Domestic Granite Colors

- Star Blue
- Pink Pearl
- Morning Rose
- Canadian Mahogany
- Dakota Mahogany
- Silver Cloud
- Paradise Black
- Jet Mist

*Non-Stock Items Ship in
Approximately 90-120 Days*

Import Granite Colors

- Import Gray
- Import Barre Gray
- Absolute Black
- Bahama Blue
- Mocha
- India Red
- Celestial Red
- Indian Dakota
- India Mahogany

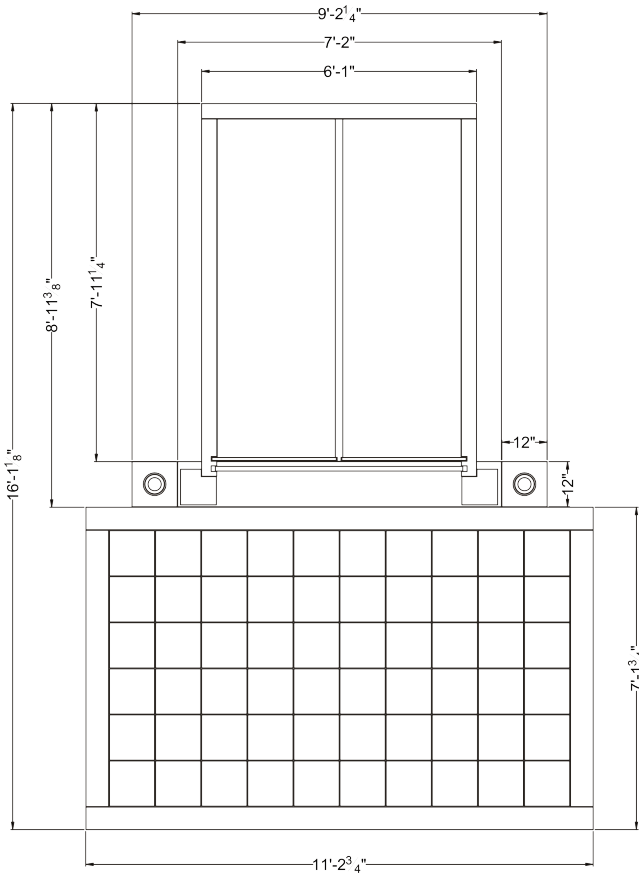
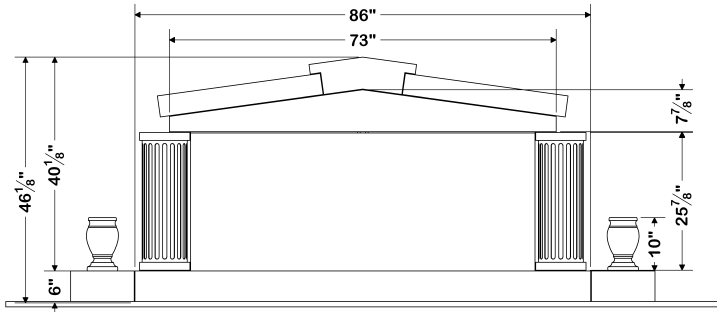
*Non-Stock Items Ship in
Approximately 90-180 Days*



Shown above as Setup C in Import Gray with 2 optional SD-004 benches

SD-817

Overall Design Dimensions and Standard Setup Options



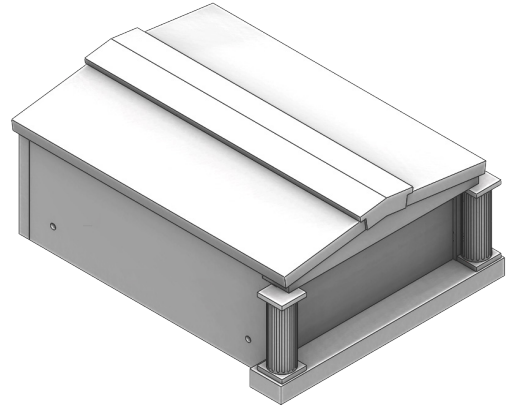
* Patio includes 6" polished coping, 1 1/4" thick, around flamed 12x12 pavers, 1 1/4" thick. All are set on a concrete pad with 1/4" grout lines.

* Overall dimensions noted are the approximate dimensions of the overall footprint. Foundation depth is determined by your local foundation building code.

Setup A

Mausoleum Only

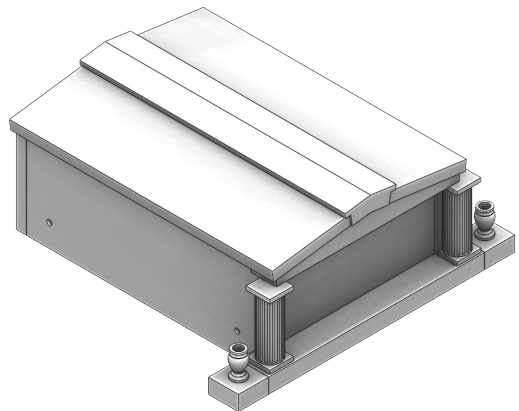
Recommended Site Dimensions are: 16' x 17'



Setup B

Mausoleum with Vase Option

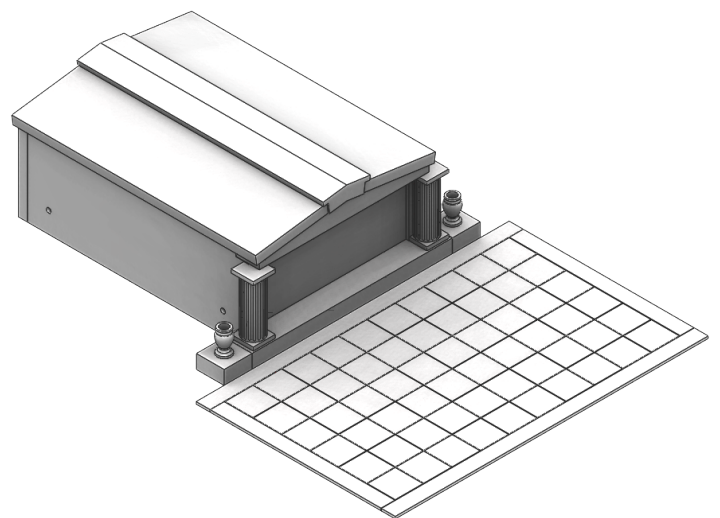
Recommended Site Dimensions are: 18' x 17'



Setup C

Mausoleum with Vase & Patio Options

Recommended Site Dimensions are: 20' x 25'



SD-818

Two Crypt Design, Three Piece Roof, Standard Jamb



Shown above as Setup A in Mocha

Domestic Granite Colors

- Star Blue
- Pink Pearl
- Morning Rose
- Canadian Mahogany
- Dakota Mahogany
- Silver Cloud
- Paradise Black
- Jet Mist

*Non-Stock Items Ship in
Approximately 90-120 Days*

Import Granite Colors

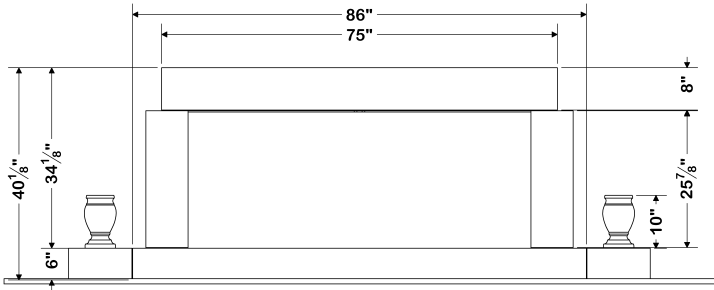
- Import Gray
- Import Barre Gray
- Absolute Black
- Bahama Blue
- Mocha
- India Red
- Celestial Red
- Indian Dakota
- India Mahogany

*Non-Stock Items Ship in
Approximately 90-180 Days*

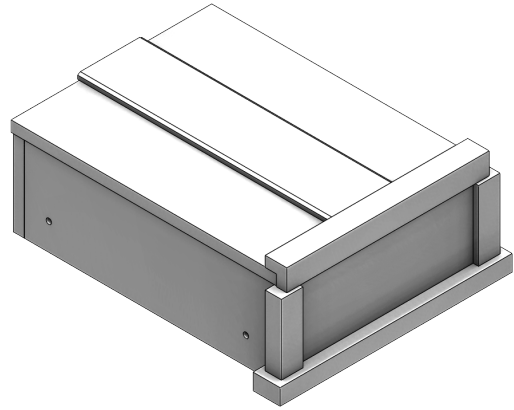


SD-818

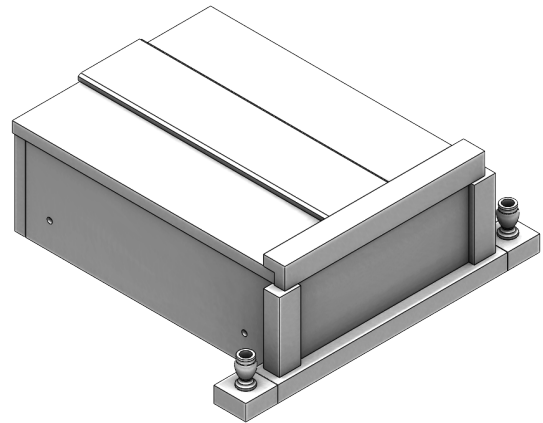
Overall Design Dimensions and Standard Setup Options



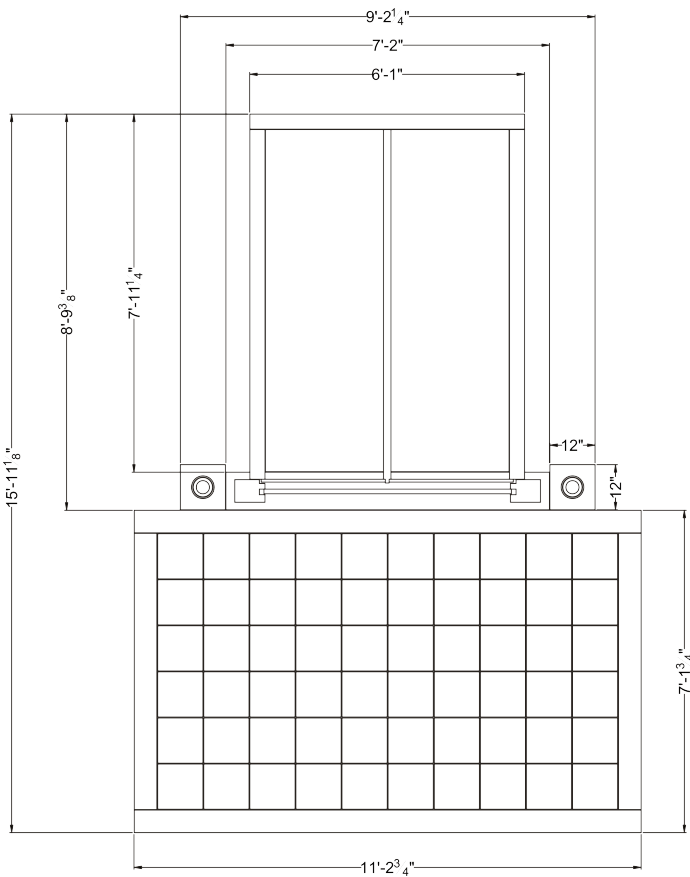
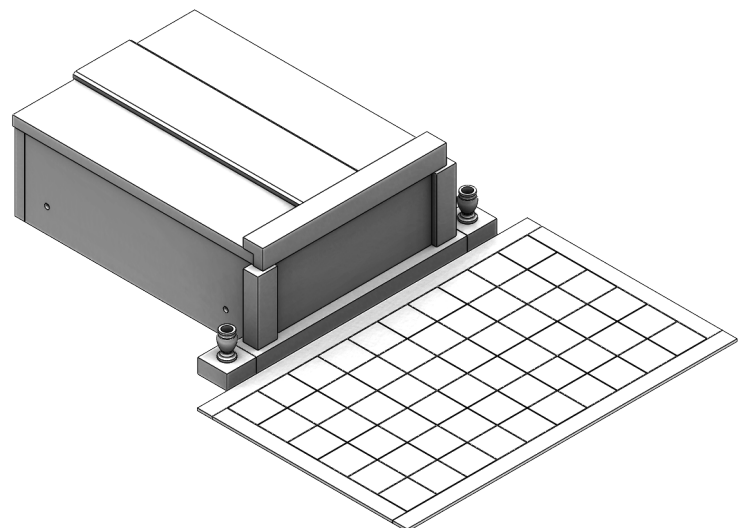
Setup A
Mausoleum Only
Recommended Site Dimensions are: 16' x 17'



Setup B
Mausoleum with Vase Option
Recommended Site Dimensions are: 18' x 17'



Setup C
Mausoleum with Vase & Patio Options
Recommended Site Dimensions are: 20' x 25'



* Patio includes 6" polished coping, 1 1/4" thick, around flamed 12x12 pavers, 1 1/4" thick. All are set on a concrete pad with 1/4" grout lines.

* Overall dimensions noted are the approximate dimensions of the overall footprint. Foundation depth is determined by your local foundation building code.

SD-800

Two Crypt Design, Gable Roof, Round Fluted Columns



Shown above as Setup A in Indian Dakota

Domestic Granite Colors

- Star Blue
- Pink Pearl
- Morning Rose
- Canadian Mahogany
- Dakota Mahogany
- Silver Cloud
- Paradise Black
- Jet Mist

*Non-Stock Items Ship in
Approximately 90-120 Days*

Import Granite Colors

- Import Gray
- Import Barre Gray
- Absolute Black
- Bahama Blue
- Mocha
- India Red
- Celestial Red
- Indian Dakota
- India Mahogany

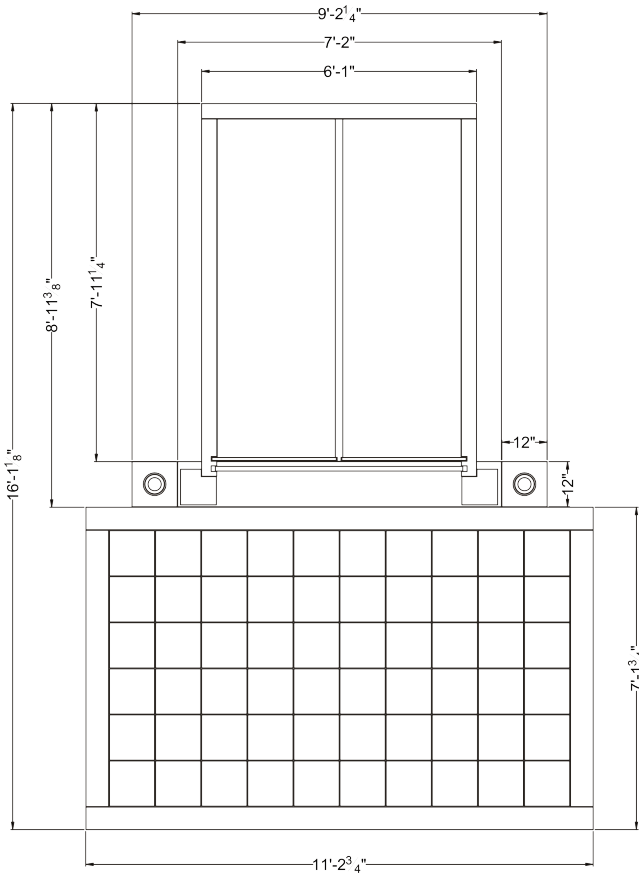
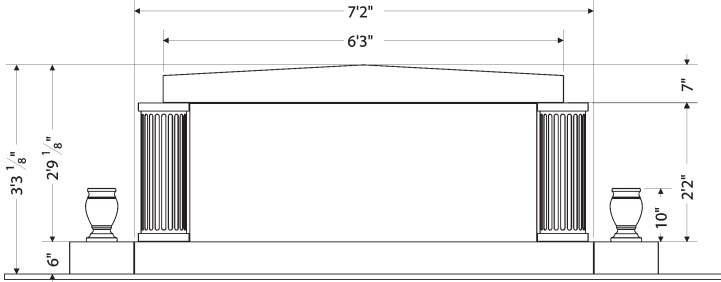
*Non-Stock Items Ship in
Approximately 90-180 Days*



Shown above as Setup C in Pink Pearl with an optional SD-002 bench

SD-800

Overall Design Dimensions and Standard Setup Options



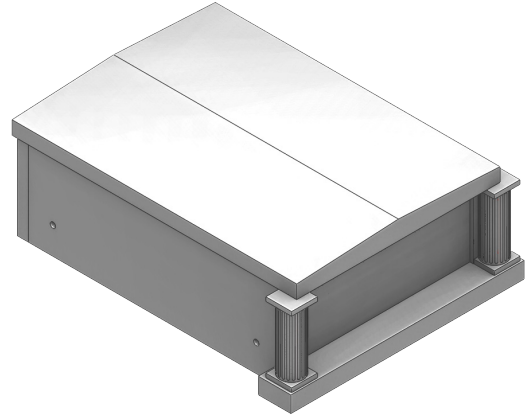
* Patio includes 6" polished coping, 1 1/4" thick, around flamed 12x12 pavers, 1 1/4" thick. All are set on a concrete pad with 1/4" grout lines.

* Overall dimensions noted are the approximate dimensions of the overall footprint. Foundation depth is determined by your local foundation building code.

Setup A

Mausoleum Only

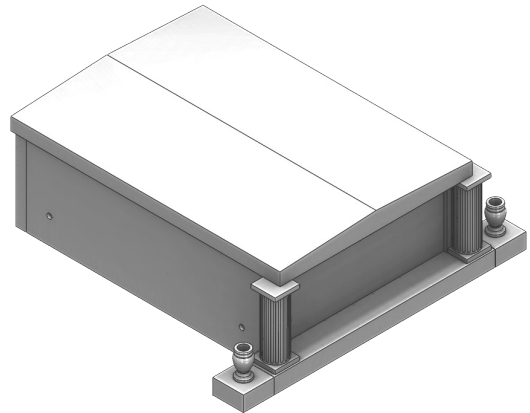
Recommended Site Dimensions are: 16' x 17'



Setup B

Mausoleum with Vase Option

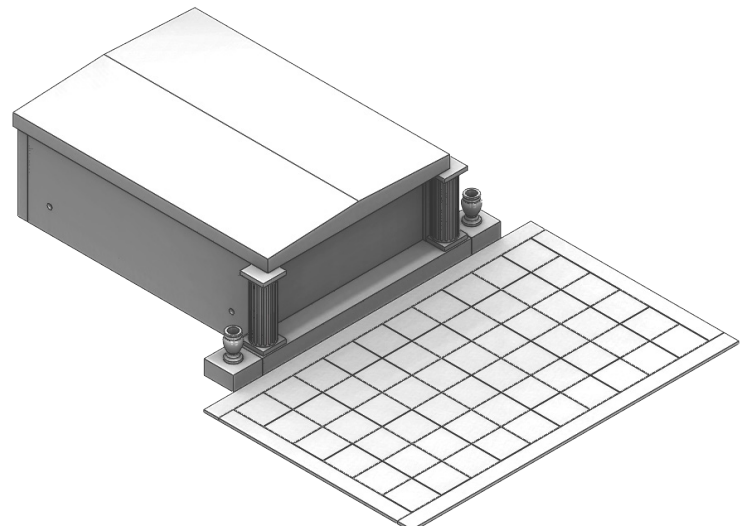
Recommended Site Dimensions are: 18' x 17'



Setup C

Mausoleum with Vase & Patio Options

Recommended Site Dimensions are: 20' x 25'



SD-820

Two Crypt Design, Gable Roof, No Jambs, Exposed Granite Floor



Shown above as Setup A in Bahama Blue

Domestic Granite Colors

- Star Blue
- Pink Pearl
- Morning Rose
- Canadian Mahogany
- Dakota Mahogany
- Silver Cloud
- Paradise Black
- Jet Mist

*Non-Stock Items Ship in
Approximately 90-120 Days*

Import Granite Colors

- Import Gray
- Import Barre Gray
- Absolute Black
- Bahama Blue
- Mocha
- India Red
- Celestial Red
- Indian Dakota
- India Mahogany

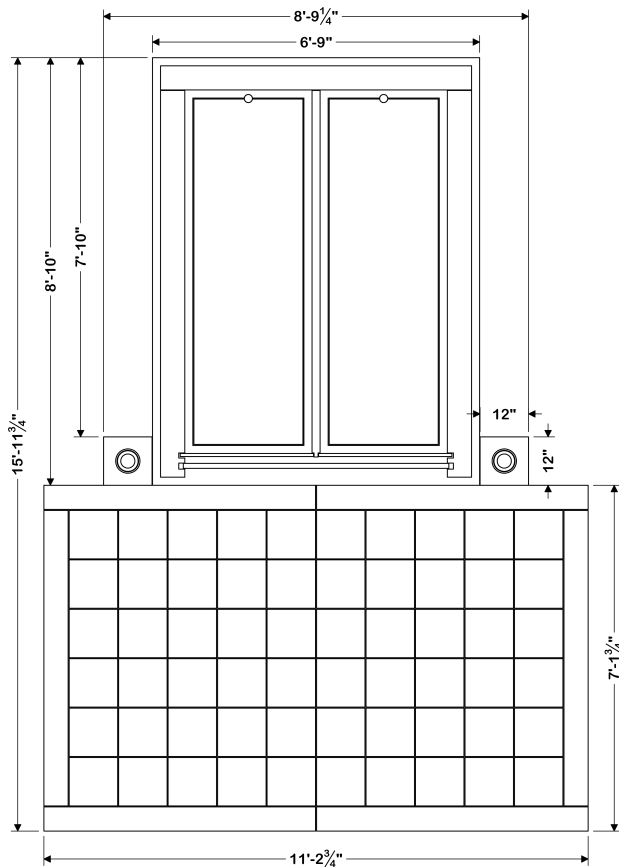
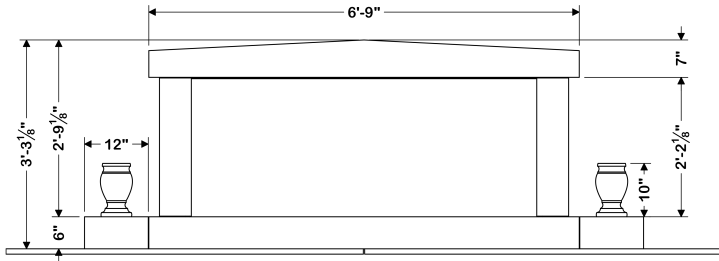
*Non-Stock Items Ship in
Approximately 90-180 Days*



Shown above as Setup C in India Red with an optional SD-002 bench

SD-820

Overall Design Dimensions and Standard Setup Options



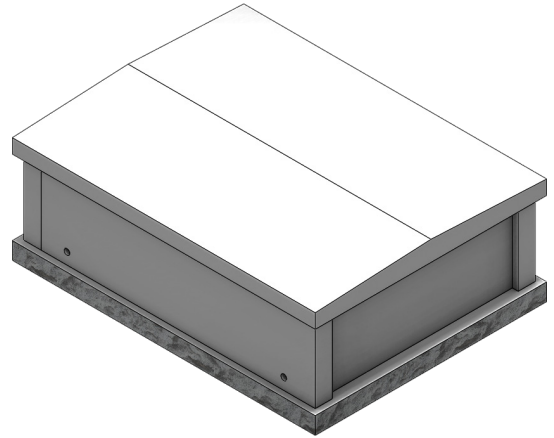
* Patio includes 6" polished coping, 1 1/4" thick, around flamed 12x12 pavers, 1 1/4" thick. All are set on a concrete pad with 1/4" grout lines.

* Overall dimensions noted are the approximate dimensions of the overall footprint. Foundation depth is determined by your local foundation building code.

Setup A

Mausoleum Only

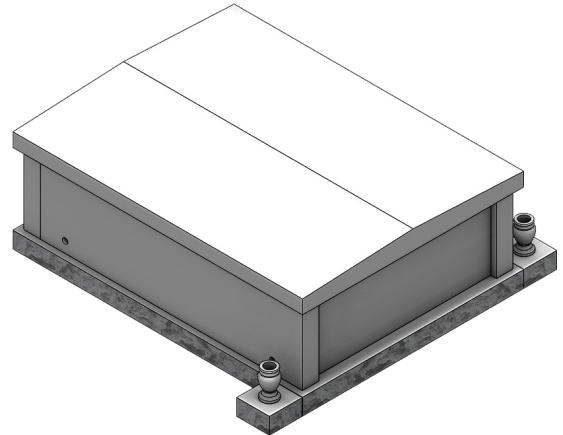
Recommended Site Dimensions are: 16' x 17'



Setup B

Mausoleum with Vase Option

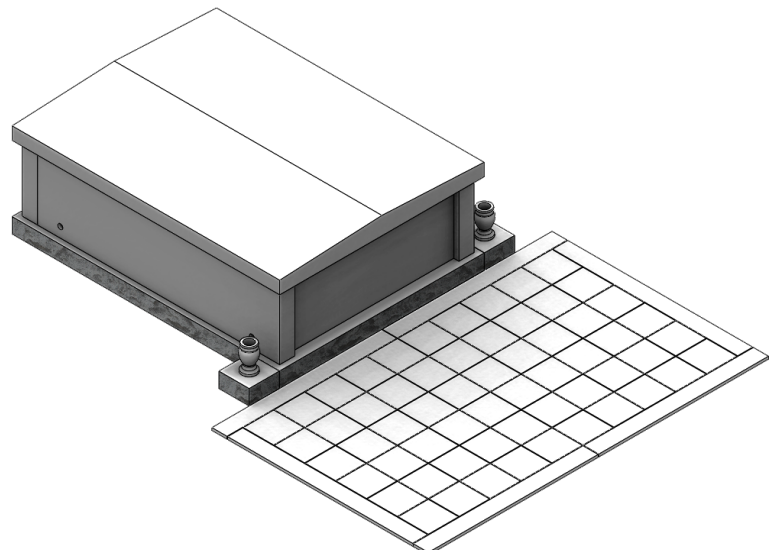
Recommended Site Dimensions are: 18' x 17'



Setup C

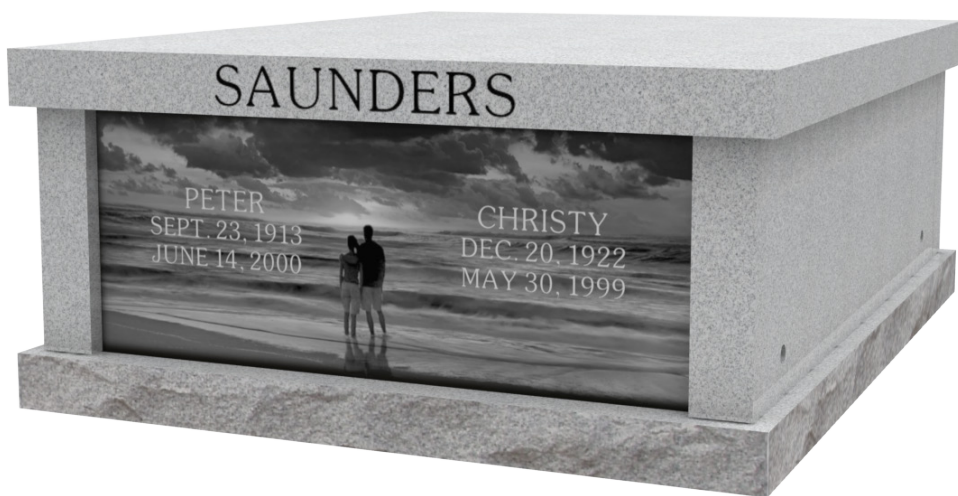
Mausoleum with Vase & Patio Options

Recommended Site Dimensions are: 20' x 25'



SD-819

Two Crypt Design, Flat Roof, No Jambs, Exposed Granite Floor



Shown above as Setup A in Import Gray

Domestic Granite Colors

- Star Blue
- Pink Pearl
- Morning Rose
- Canadian Mahogany
- Dakota Mahogany
- Silver Cloud
- Paradise Black
- Jet Mist

*Non-Stock Items Ship in
Approximately 90-120 Days*

Import Granite Colors

- Import Gray
- Import Barre Gray
- Absolute Black
- Bahama Blue
- Mocha
- India Red
- Celestial Red
- Indian Dakota
- India Mahogany

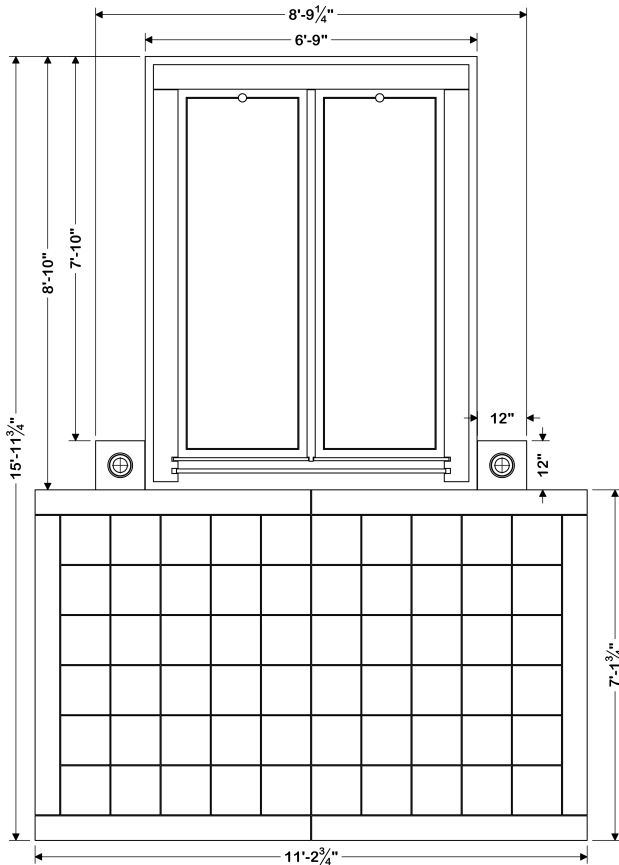
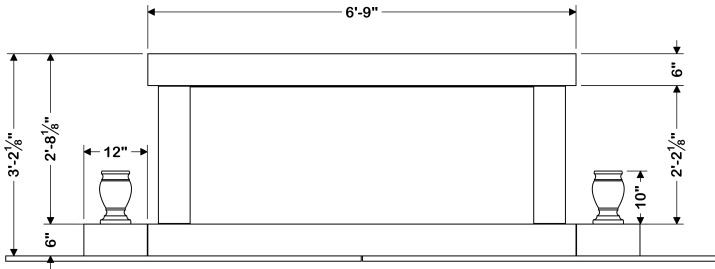
*Non-Stock Items Ship in
Approximately 90-180 Days*



Shown above as Setup C in Jet Mist with feature patio tile

SD-819

Overall Design Dimensions and Standard Setup Options



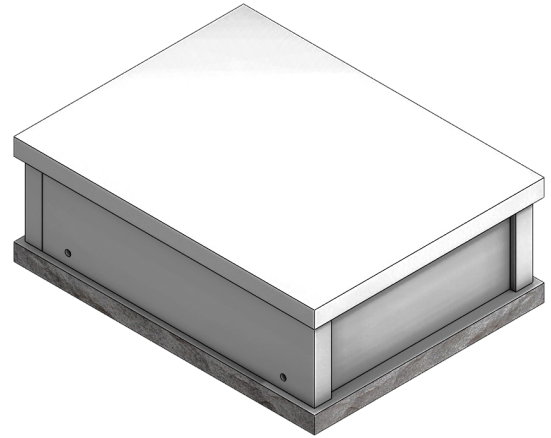
* Patio includes 6" polished coping, 1 1/4" thick, around flamed 12x12 pavers, 1 1/4" thick. All are set on a concrete pad with 1/4" grout lines.

* Overall dimensions noted are the approximate dimensions of the overall footprint. Foundation depth is determined by your local foundation building code.

Setup A

Mausoleum Only

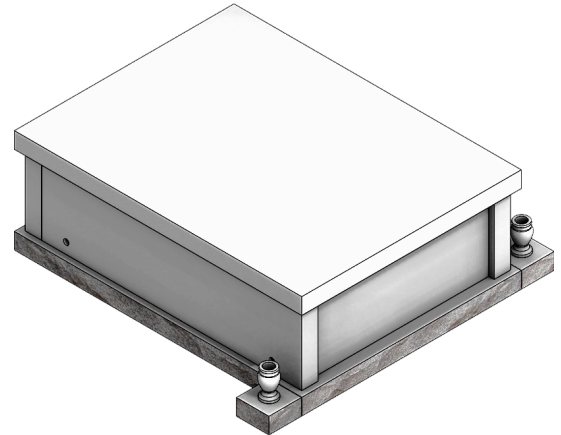
Recommended Site Dimensions are: 16' x 17'



Setup B

Mausoleum with Vase Option

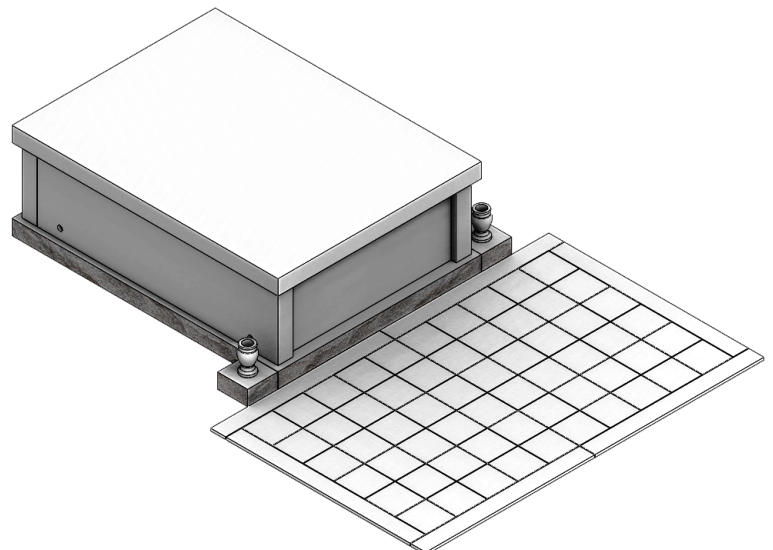
Recommended Site Dimensions are: 18' x 17'



Setup C

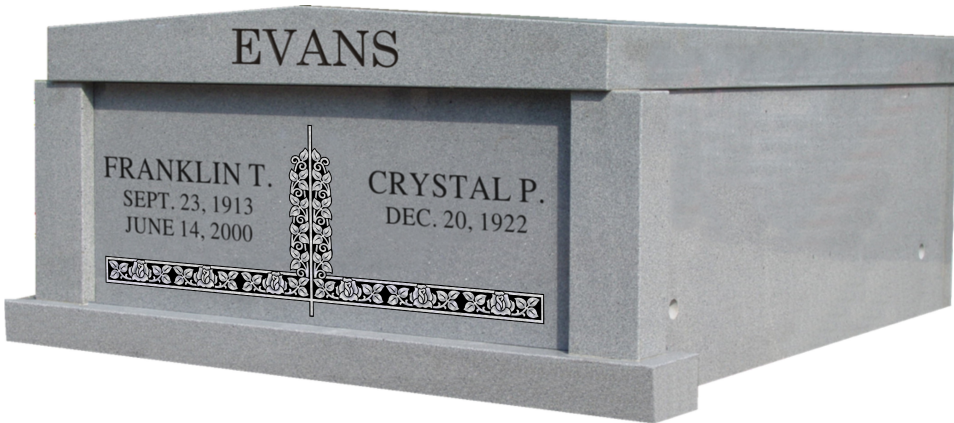
Mausoleum with Vase & Patio Options

Recommended Site Dimensions are: 20' x 25'



SD-802

Two Crypt Design, Gable Roof, Standard Jamb



Shown above as Setup A in Star Blue

Domestic Granite Colors

- Star Blue
- Pink Pearl
- Morning Rose
- Canadian Mahogany
- Dakota Mahogany
- Silver Cloud
- Paradise Black
- Jet Mist

*Non-Stock Items Ship in
Approximately 90-120 Days*

Import Granite Colors

- Import Gray
- Import Barre Gray
- Absolute Black
- Bahama Blue
- Mocha
- India Red
- Celestial Red
- Indian Dakota
- India Mahogany

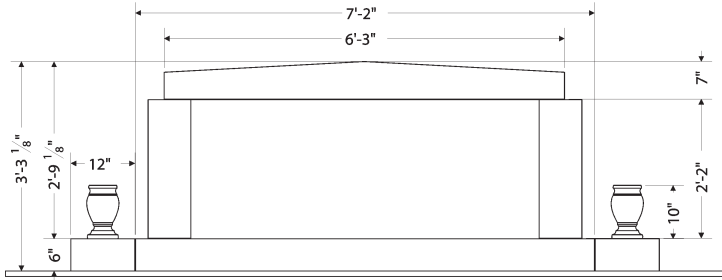
*Non-Stock Items Ship in
Approximately 90-180 Days*



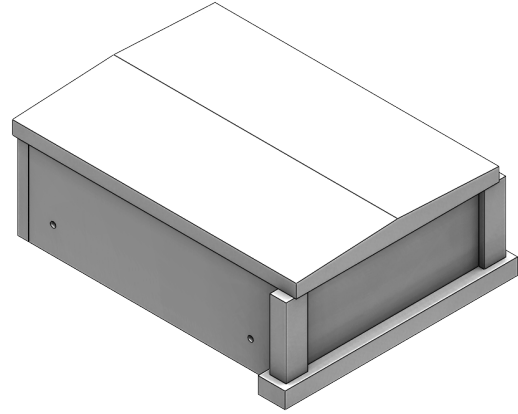
Shown above as Setup C with optional SD-002 benches

SD-802

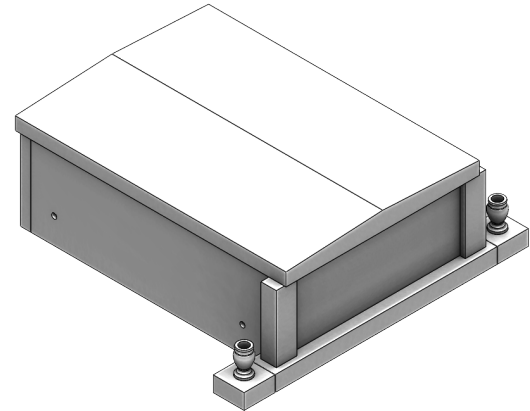
Overall Design Dimensions and Standard Setup Options



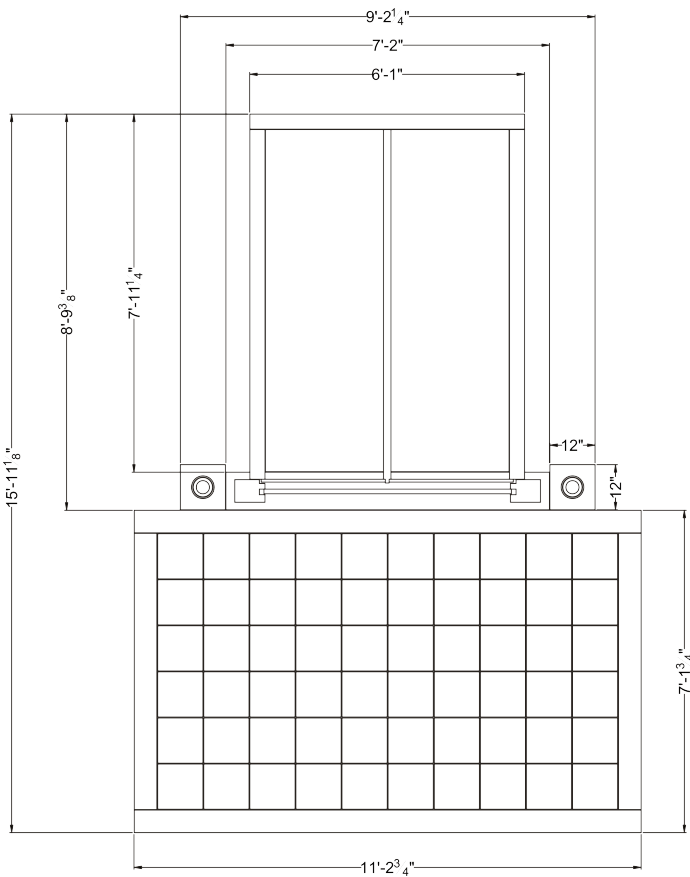
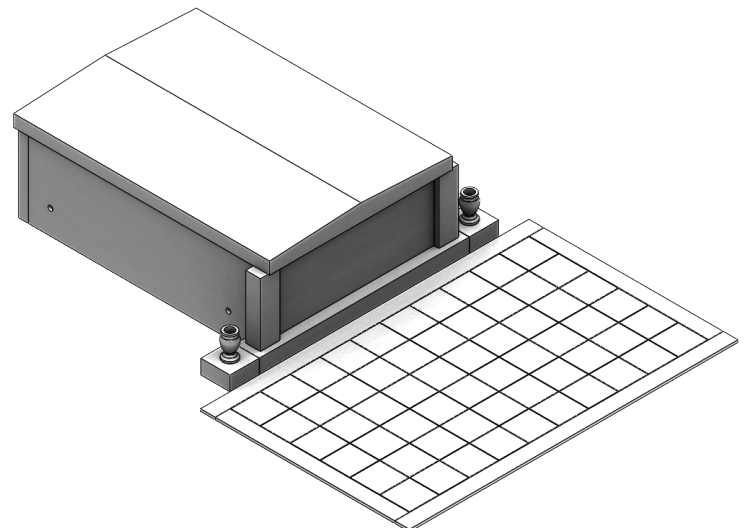
Setup A
Mausoleum Only
Recommended Site Dimensions are: 16' x 17'



Setup B
Mausoleum with Vase Option
Recommended Site Dimensions are: 18' x 17'



Setup C
Mausoleum with Vase & Patio Options
Recommended Site Dimensions are: 20' x 25'

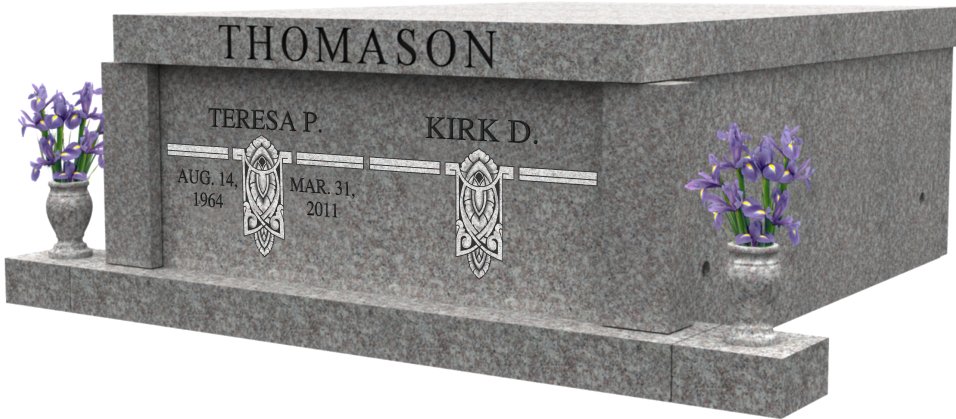


* Patio includes 6" polished coping, 1 1/4" thick, around flamed 12x12 pavers, 1 1/4" thick. All are set on a concrete pad with 1/4" grout lines.

* Overall dimensions noted are the approximate dimensions of the overall footprint. Foundation depth is determined by your local foundation building code.

SD-803

Two Crypt Design, Flat Roof, Standard Jambs



Shown above as Setup B in Mocha

Domestic Granite Colors

- Star Blue
- Pink Pearl
- Morning Rose
- Canadian Mahogany
- Dakota Mahogany
- Silver Cloud
- Paradise Black
- Jet Mist

*Non-Stock Items Ship in
Approximately 90-120 Days*

Import Granite Colors

- Import Gray
- Import Barre Gray
- Absolute Black
- Bahama Blue
- Mocha
- India Red
- Celestial Red
- Indian Dakota
- India Mahogany

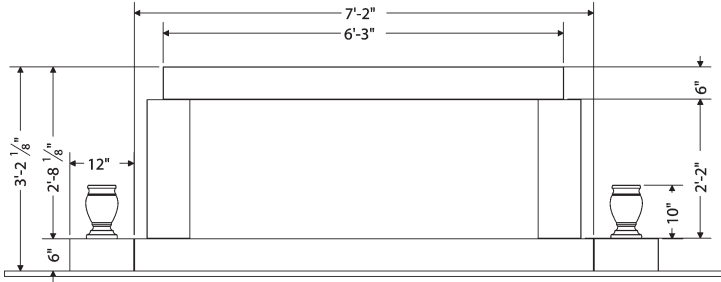
*Non-Stock Items Ship in
Approximately 90-180 Days*



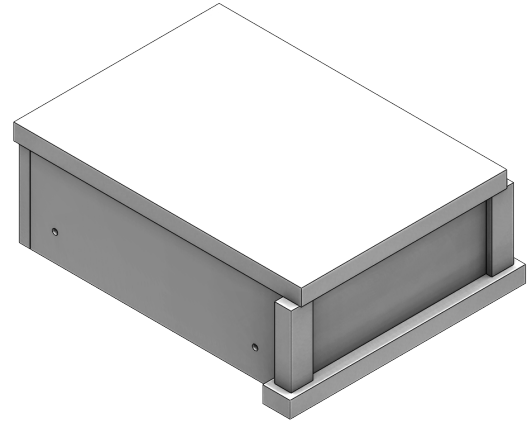
Shown above as Setup C in Canadian Mahogany with an optional SD-002 bench

SD-803

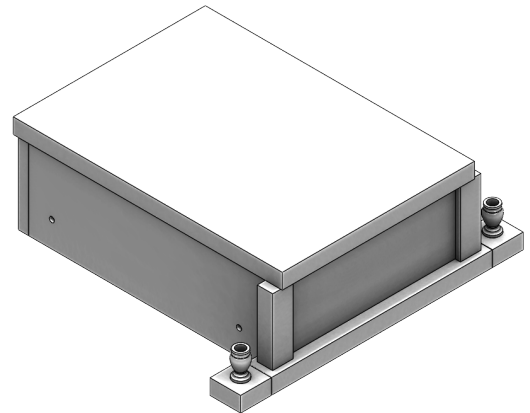
Overall Design Dimensions and Standard Setup Options



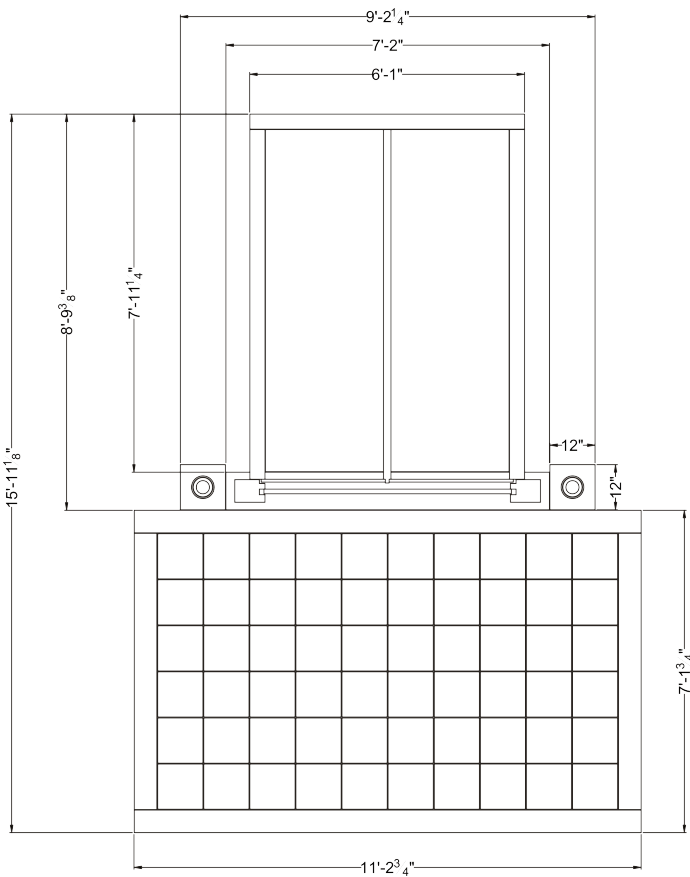
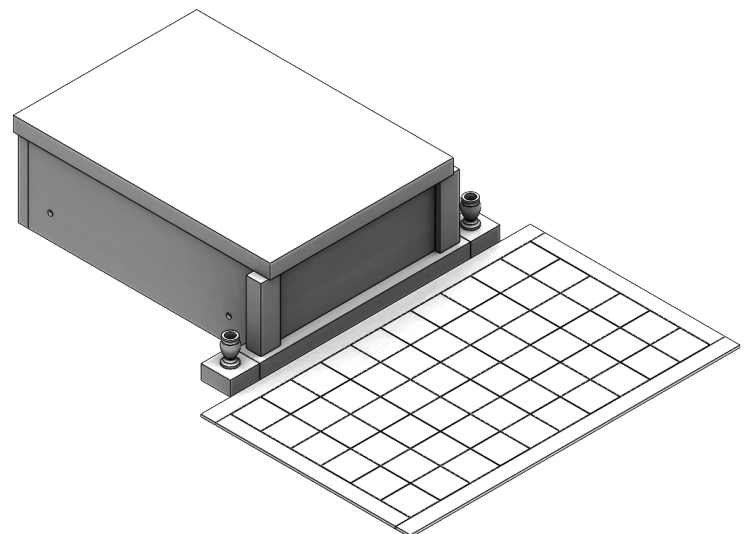
Setup A
Mausoleum Only
Recommended Site Dimensions are: 16' x 17'



Setup B
Mausoleum with Vase Option
Recommended Site Dimensions are: 18' x 17'



Setup C
Mausoleum with Vase & Patio Options
Recommended Site Dimensions are: 20' x 25'



* Patio includes 6" polished coping, 1 1/4" thick, around flamed 12x12 pavers, 1 1/4" thick. All are set on a concrete pad with 1/4" grout lines.

* Overall dimensions noted are the approximate dimensions of the overall footprint. Foundation depth is determined by your local foundation building code.

SD-811

Two Crypt Design, Gable Roof, No Jambs, Exposed Granite Floor



Shown above as Setup B in Bahama Blue

Domestic Granite Colors

- Star Blue
- Pink Pearl
- Morning Rose
- Canadian Mahogany
- Dakota Mahogany
- Silver Cloud
- Paradise Black
- Jet Mist

*Non-Stock Items Ship in
Approximately 90-120 Days*

Import Granite Colors

- Import Gray
- Import Barre Gray
- Absolute Black
- Bahama Blue
- Mocha
- India Red
- Celestial Red
- Indian Dakota
- India Mahogany

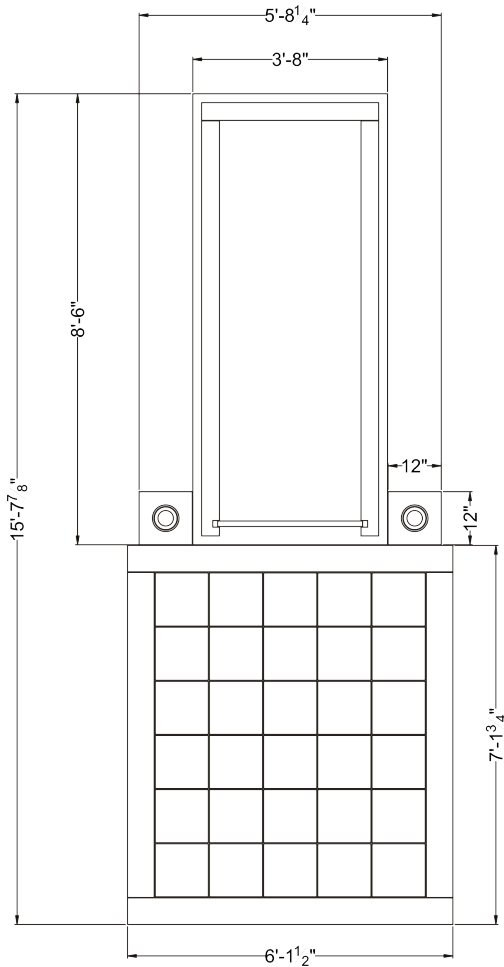
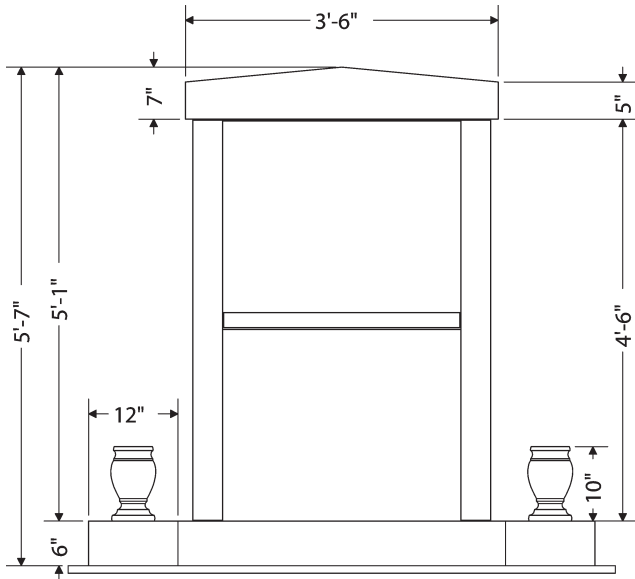
*Non-Stock Items Ship in
Approximately 90-180 Days*



Shown above as Setup C in Star Blue with 2 optional SD-004 benches

SD-811

Overall Design Dimensions and Standard Setup Options



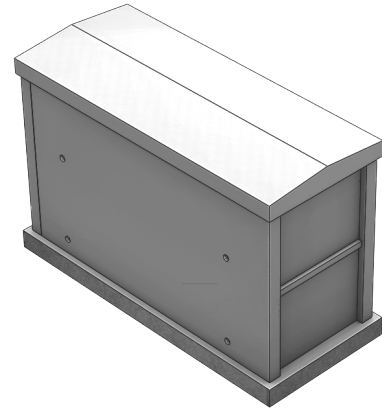
* Patio includes 6" polished coping, 1 1/4" thick, around flamed 12x12 pavers, 1 1/4" thick. All are set on a concrete pad with 1/4" grout lines.

* Overall dimensions noted are the approximate dimensions of the overall footprint. Foundation depth is determined by your local foundation building code.

Setup A

Mausoleum Only

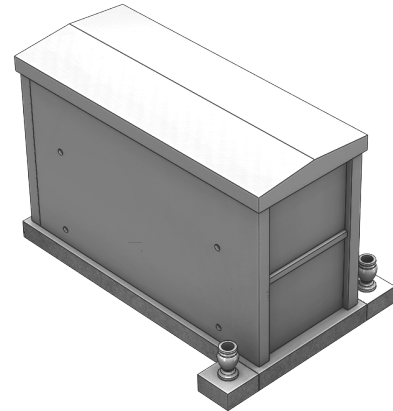
Recommended Site Dimensions are: 12' x 17'



Setup B

Mausoleum with Vase Option

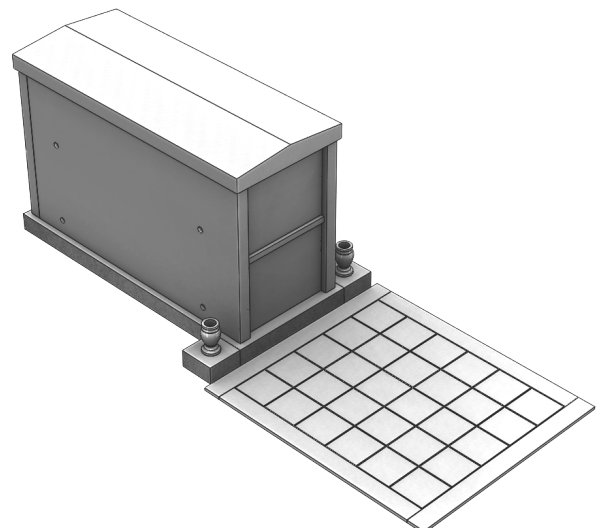
Recommended Site Dimensions are: 14' x 17'



Setup C

Mausoleum with Vase & Patio Options

Recommended Site Dimensions are: 15' x 25'



SD-810

Two Crypt Design, Flat Roof, No Jambs, Exposed Granite Floor



Shown above as Setup B in Pink Pearl

Domestic Granite Colors

- Star Blue
- Pink Pearl
- Morning Rose
- Canadian Mahogany
- Dakota Mahogany
- Silver Cloud
- Paradise Black
- Jet Mist

*Non-Stock Items Ship in
Approximately 90-120 Days*

Import Granite Colors

- Import Gray
- Import Barre Gray
- Absolute Black
- Bahama Blue
- Mocha
- India Red
- Celestial Red
- Indian Dakota
- India Mahogany

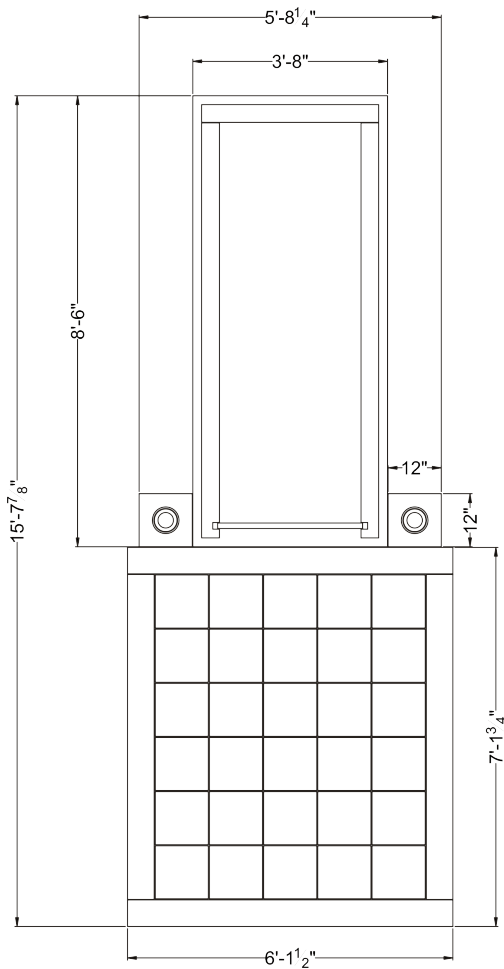
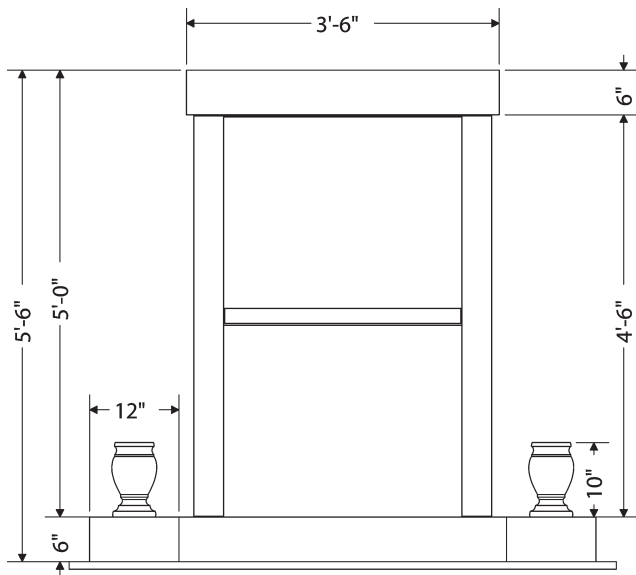
*Non-Stock Items Ship in
Approximately 90-180 Days*



Shown above as Setup C in Celestial Red with an optional SD-004 bench

SD-810

Overall Design Dimensions and Standard Setup Options



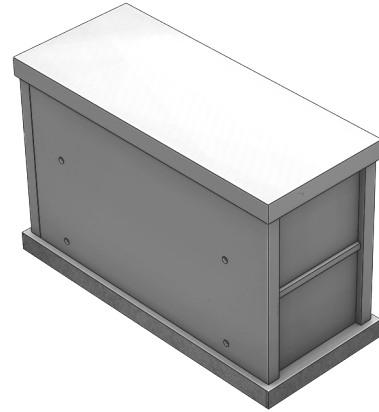
* Patio includes 6" polished coping, 1 1/4" thick, around flamed 12x12 pavers, 1 1/4" thick. All are set on a concrete pad with 1/4" grout lines.

* Overall dimensions noted are the approximate dimensions of the overall footprint. Foundation depth is determined by your local foundation building code.

Setup A

Mausoleum Only

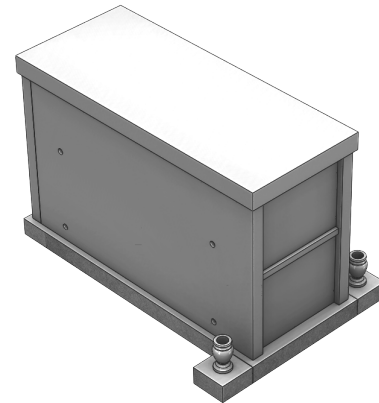
Recommended Site Dimensions are: 12' x 17'



Setup B

Mausoleum with Vase Option

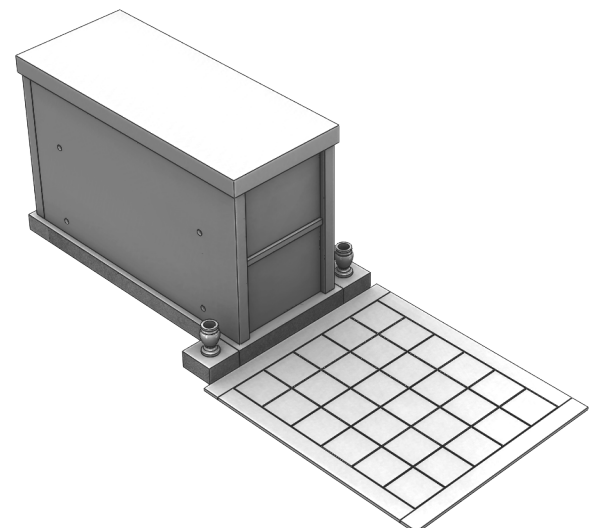
Recommended Site Dimensions are: 14' x 17'



Setup C

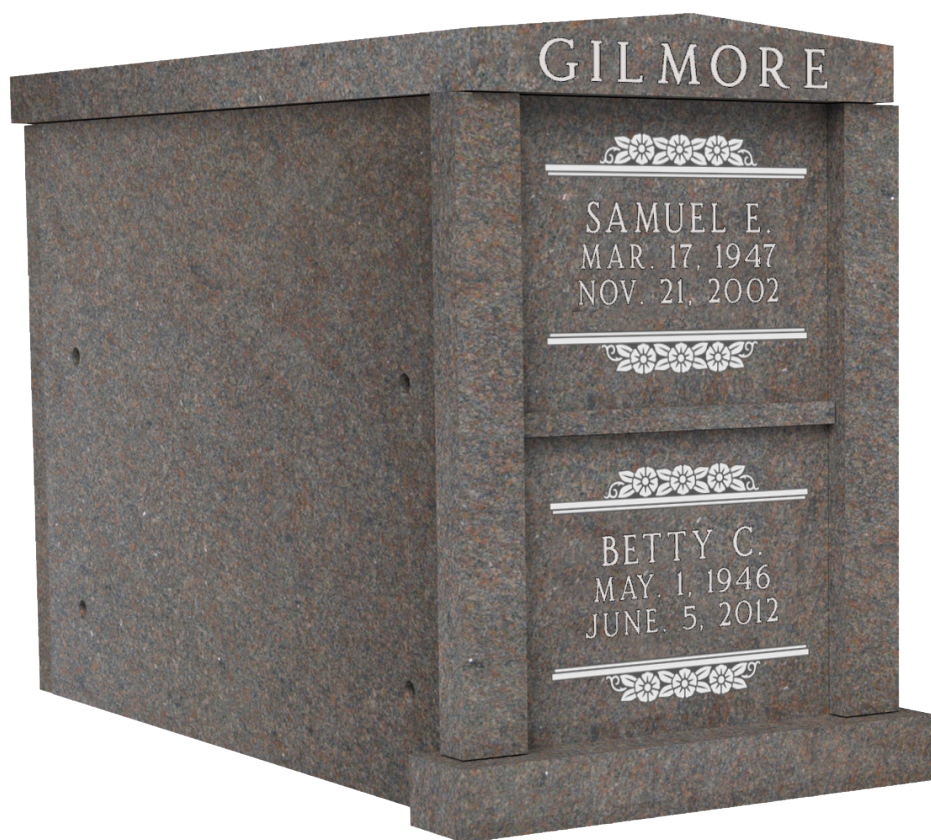
Mausoleum with Vase & Patio Options

Recommended Site Dimensions are: 15' x 25'



SD-813

Two Crypt Design, Gable Roof, Standard Jambs



Shown above as Setup A in Canadian Mahogany

Domestic Granite Colors

- Star Blue
- Pink Pearl
- Morning Rose
- Canadian Mahogany
- Dakota Mahogany
- Silver Cloud
- Paradise Black
- Jet Mist

*Non-Stock Items Ship in
Approximately 90-120 Days*

Import Granite Colors

- Import Gray
- Import Barre Gray
- Absolute Black
- Bahama Blue
- Mocha
- India Red
- Celestial Red
- Indian Dakota
- India Mahogany

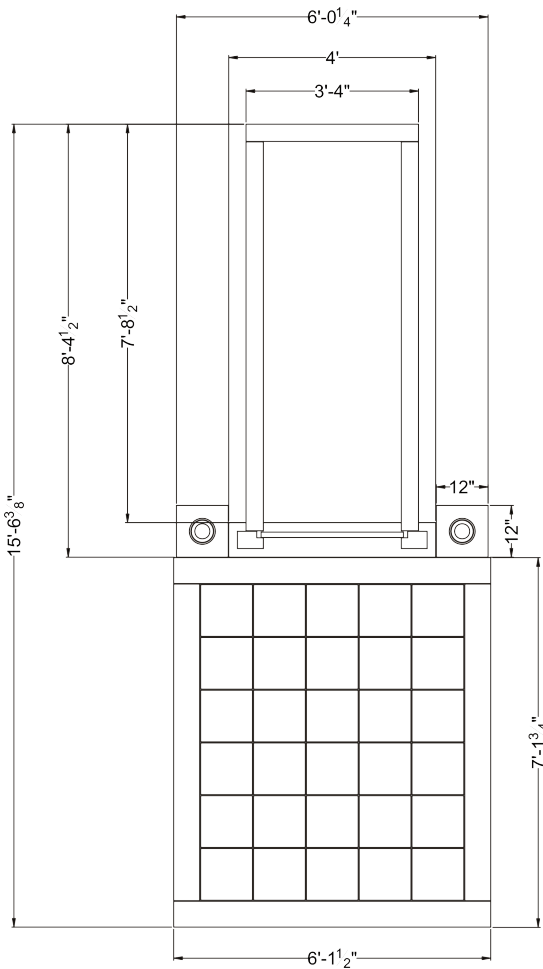
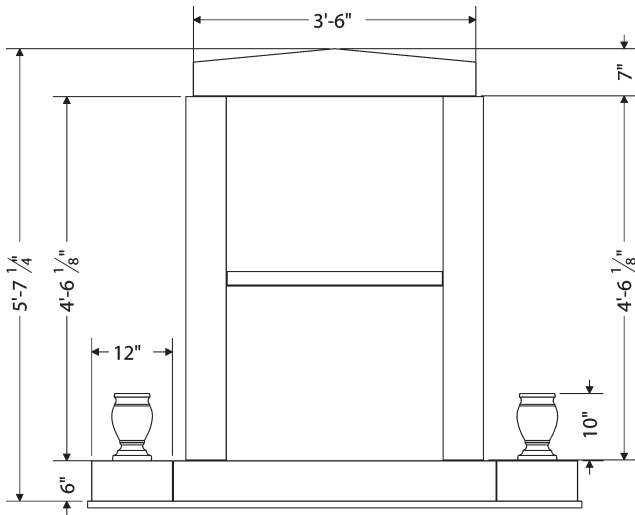
*Non-Stock Items Ship in
Approximately 90-180 Days*



Shown above as Setup C in Morning Rose with 2 optional SD-002 benches

SD-813

Overall Design Dimensions and Standard Setup Options



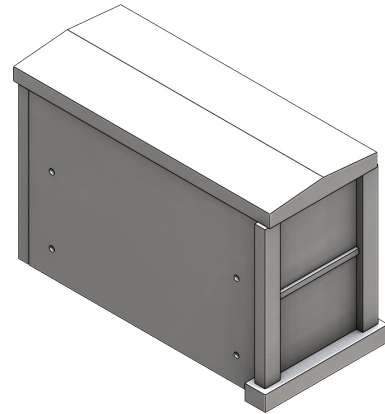
* Patio includes 6" polished coping, 1 1/4" thick, around flamed 12x12 pavers, 1 1/4" thick. All are set on a concrete pad with 1/4" grout lines.

* Overall dimensions noted are the approximate dimensions of the overall footprint. Foundation depth is determined by your local foundation building code.

Setup A

Mausoleum Only

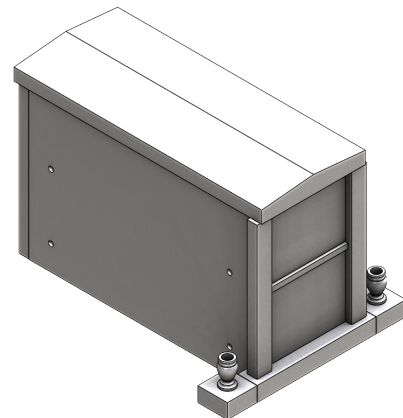
Recommended Site Dimensions are: 12' x 17'



Setup B

Mausoleum with Vase Option

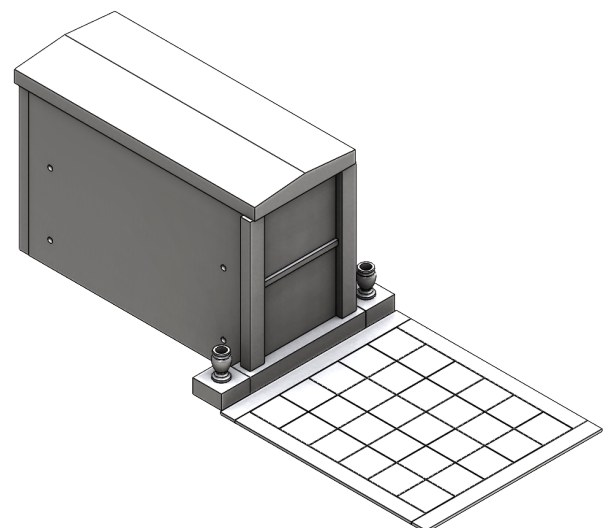
Recommended Site Dimensions are: 14' x 17'



Setup C

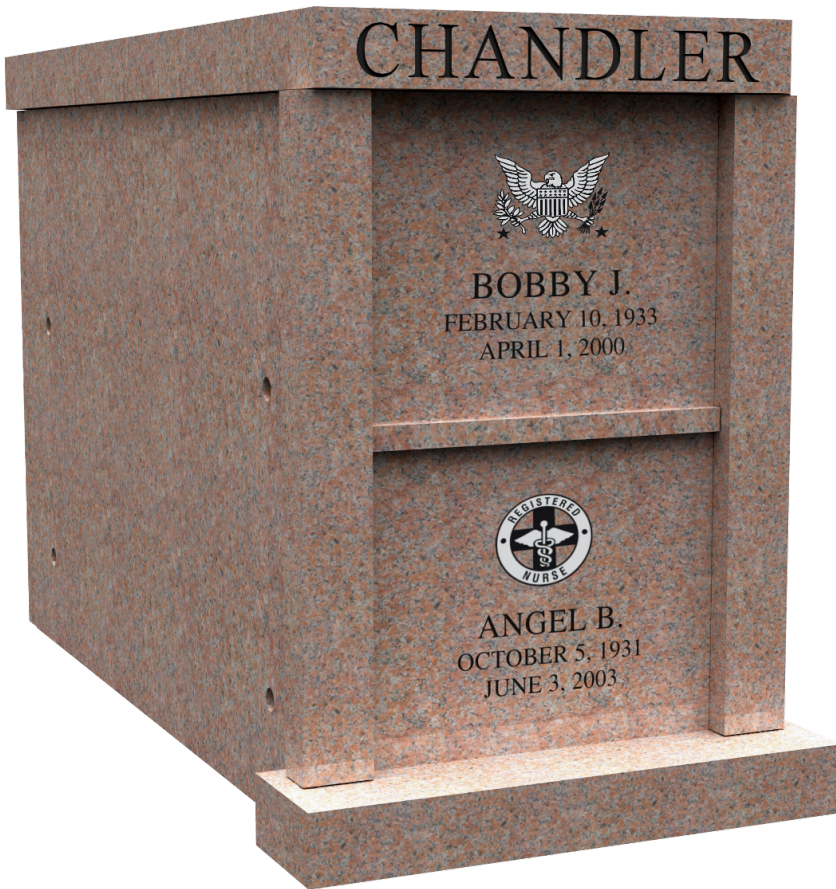
Mausoleum with Vase & Patio Options

Recommended Site Dimensions are: 15' x 25'



SD-812

Two Crypt Design, Flat Roof, Standard Jambs



Shown above as Setup A in Celestial Red

Domestic Granite Colors

- Star Blue
- Pink Pearl
- Morning Rose
- Canadian Mahogany
- Dakota Mahogany
- Silver Cloud
- Paradise Black
- Jet Mist

*Non-Stock Items Ship in
Approximately 90-120 Days*

Import Granite Colors

- Import Gray
- Import Barre Gray
- Absolute Black
- Bahama Blue
- Mocha
- India Red
- Celestial Red
- Indian Dakota
- India Mahogany

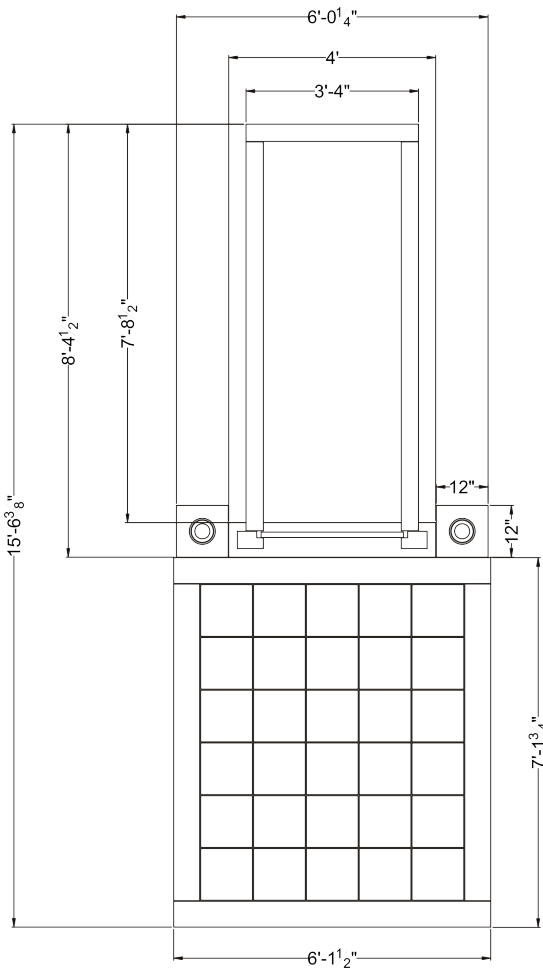
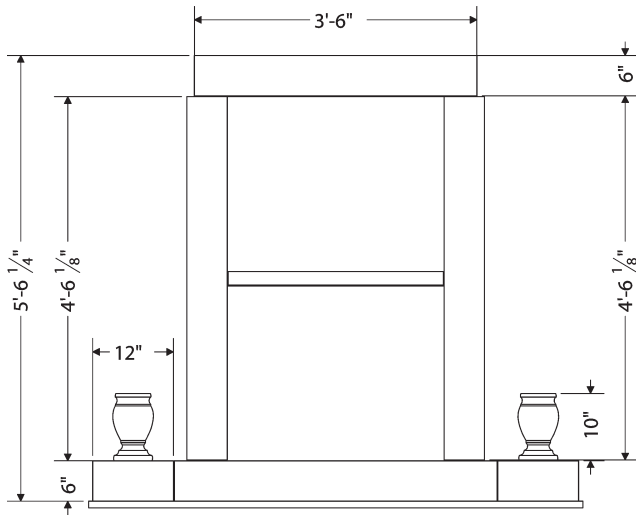
*Non-Stock Items Ship in
Approximately 90-180 Days*



Shown above as Setup C with an optional SD-001 bench

SD-812

Overall Design Dimensions and Standard Setup Options



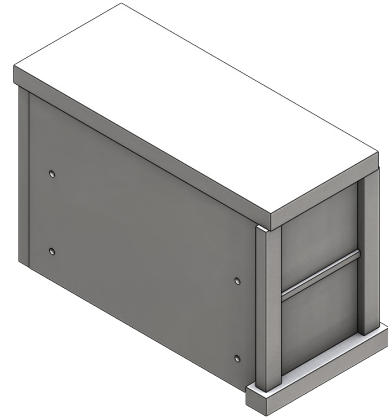
* Patio includes 6" polished coping, 1 1/4" thick, around flamed 12x12 pavers, 1 1/4" thick. All are set on a concrete pad with 1/4" grout lines.

* Overall dimensions noted are the approximate dimensions of the overall footprint. Foundation depth is determined by your local foundation building code.

Setup A

Mausoleum Only

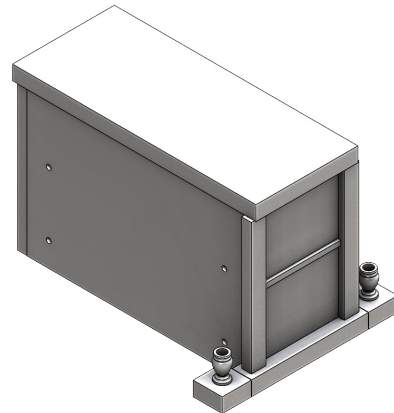
Recommended Site Dimensions are: 12' x 17'



Setup B

Mausoleum with Vase Option

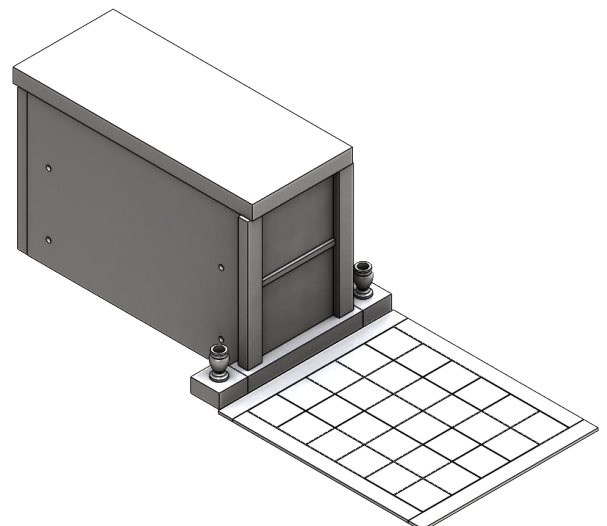
Recommended Site Dimensions are: 14' x 17'



Setup C

Mausoleum with Vase & Patio Options

Recommended Site Dimensions are: 15' x 25'



SD-807

Single Crypt Design, Gable Roof, No Jambs, Exposed Granite Floor



Shown above as Setup B in Canadian Mahogany

Domestic Granite Colors

- Star Blue
- Pink Pearl
- Morning Rose
- Canadian Mahogany
- Dakota Mahogany
- Silver Cloud
- Paradise Black
- Jet Mist

*Non-Stock Items Ship in
Approximately 90-120 Days*

Import Granite Colors

- Import Gray
- Import Barre Gray
- Absolute Black
- Bahama Blue
- Mocha
- India Red
- Celestial Red
- Indian Dakota
- India Mahogany

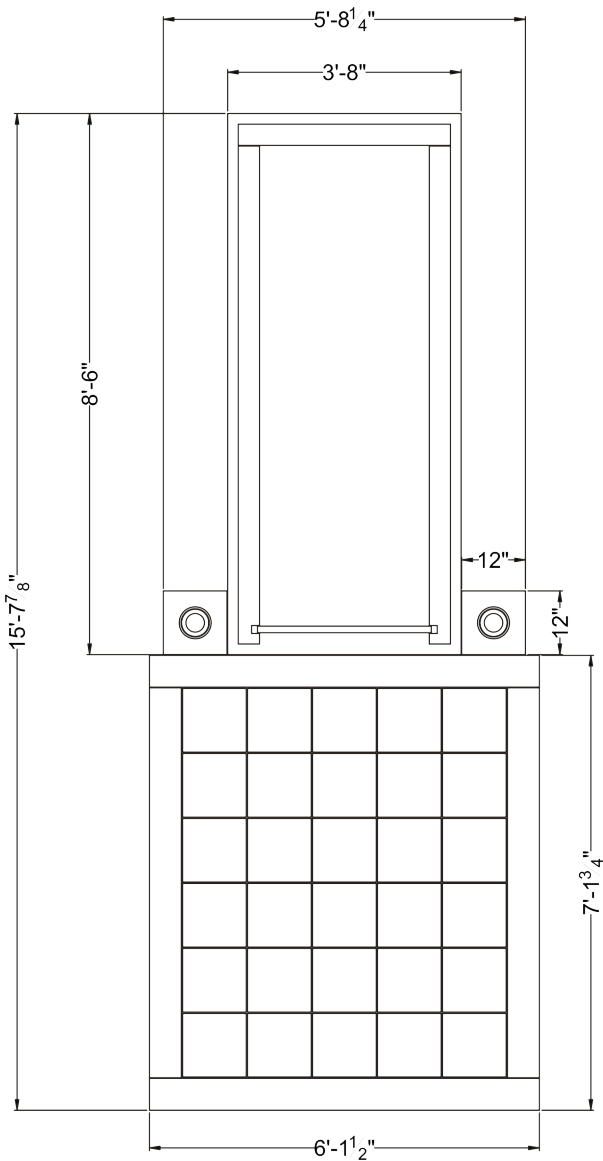
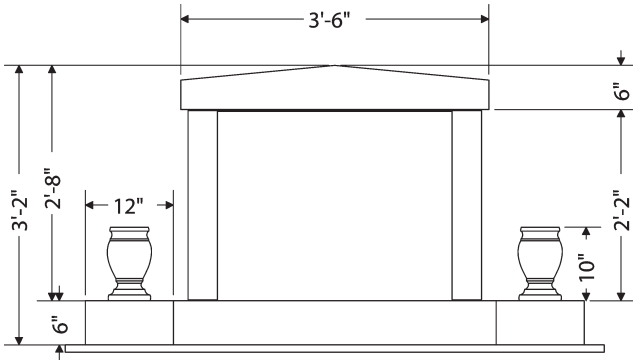
*Non-Stock Items Ship in
Approximately 90-180 Days*



Shown above as Setup C with an optional SD-002 bench

SD-807

Overall Design Dimensions and Standard Setup Options



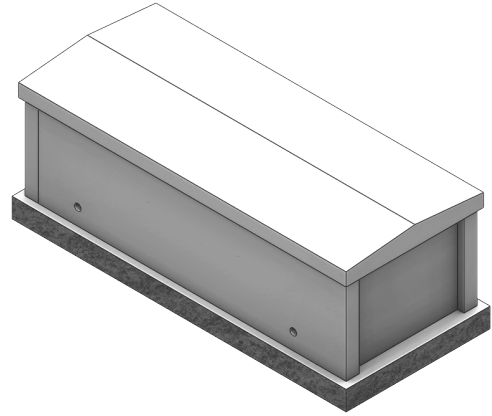
* Patio includes 6" polished coping, 1 1/4" thick, around flamed 12x12 pavers, 1 1/4" thick. All are set on a concrete pad with 1/4" grout lines.

* Overall dimensions noted are the approximate dimensions of the overall footprint. Foundation depth is determined by your local foundation building code.

Setup A

Mausoleum Only

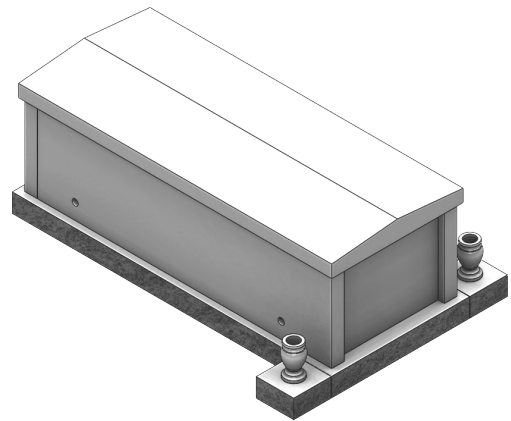
Recommended Site Dimensions are: 12' x 17'



Setup B

Mausoleum with Vase Option

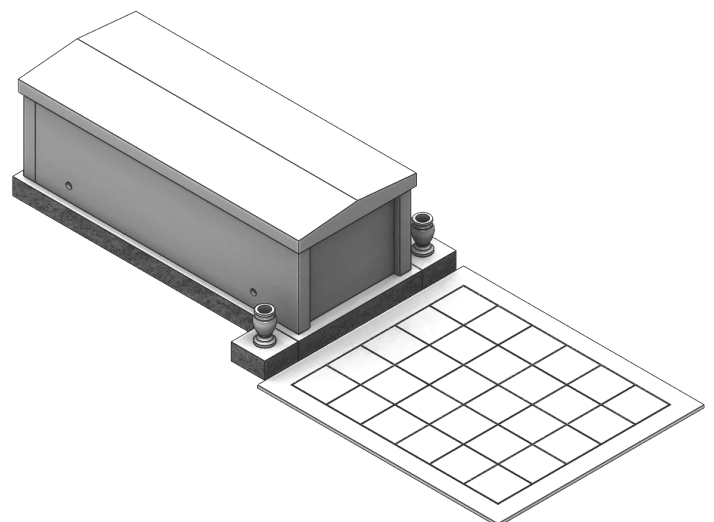
Recommended Site Dimensions are: 14' x 17'



Setup C

Mausoleum with Vase & Patio Options

Recommended Site Dimensions are: 15' x 25'



SD-805

Single Crypt Design, Flat Roof, No Jambs, Exposed Granite Floor



Shown above as Setup B in Pink Pearl

Domestic Granite Colors

- Star Blue
- Pink Pearl
- Morning Rose
- Canadian Mahogany
- Dakota Mahogany
- Silver Cloud
- Paradise Black
- Jet Mist

*Non-Stock Items Ship in
Approximately 90-120 Days*

Import Granite Colors

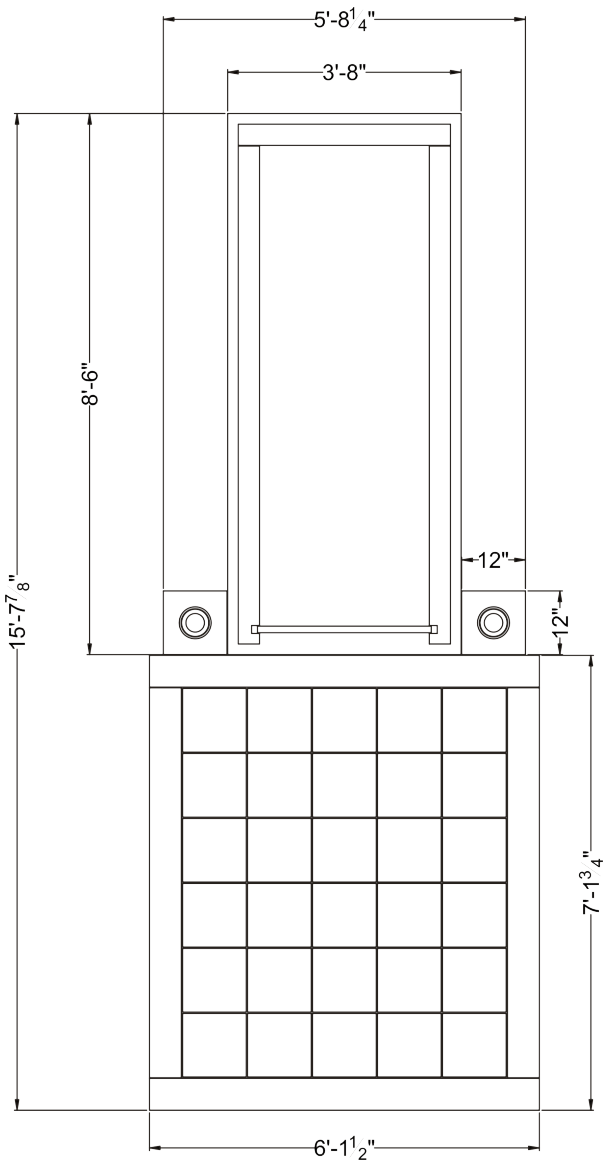
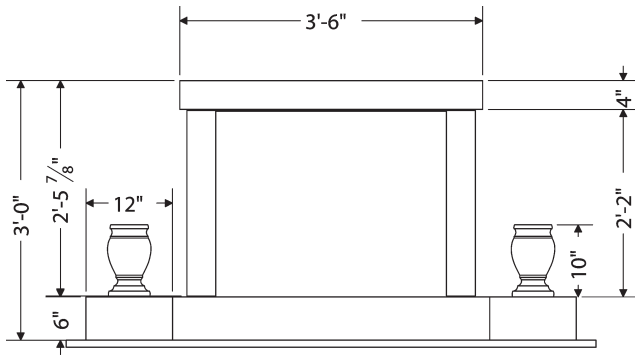
- Import Gray
- Import Barre Gray
- Absolute Black
- Bahama Blue
- Mocha
- India Red
- Celestial Red
- Indian Dakota
- India Mahogany

*Non-Stock Items Ship in
Approximately 90-180 Days*



SD-805

Overall Design Dimensions and Standard Setup Options



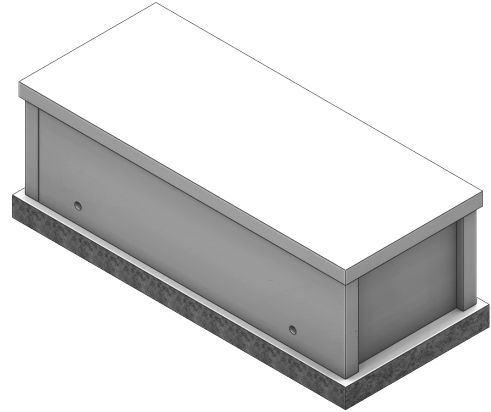
* Patio includes 6" polished coping, 1 1/4" thick, around flamed 12x12 pavers, 1 1/4" thick. All are set on a concrete pad with 1/4" grout lines.

* Overall dimensions noted are the approximate dimensions of the overall footprint. Foundation depth is determined by your local foundation building code.

Setup A

Mausoleum Only

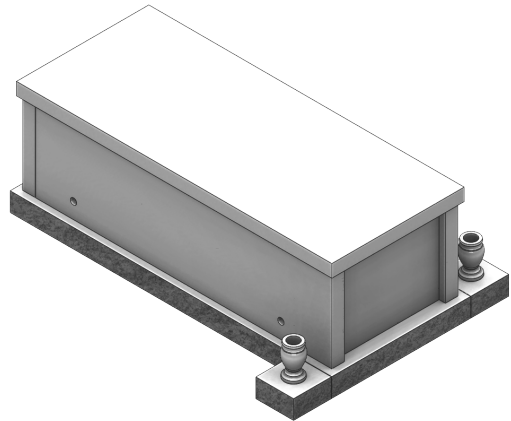
Recommended Site Dimensions are: 12' x 17'



Setup B

Mausoleum with Vase Option

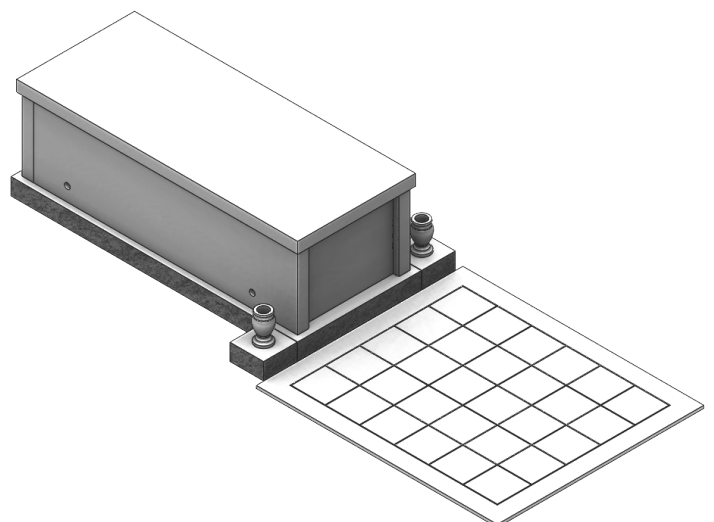
Recommended Site Dimensions are: 14' x 17'



Setup C

Mausoleum with Vase & Patio Options

Recommended Site Dimensions are: 15' x 25'



SD-809

Single Crypt Design, Gable Roof, Standard Jambs

Domestic Granite Colors

- Star Blue
- Pink Pearl
- Morning Rose
- Canadian Mahogany
- Dakota Mahogany
- Silver Cloud
- Paradise Black
- Jet Mist

*Non-Stock Items Ship in
Approximately 90-120 Days*

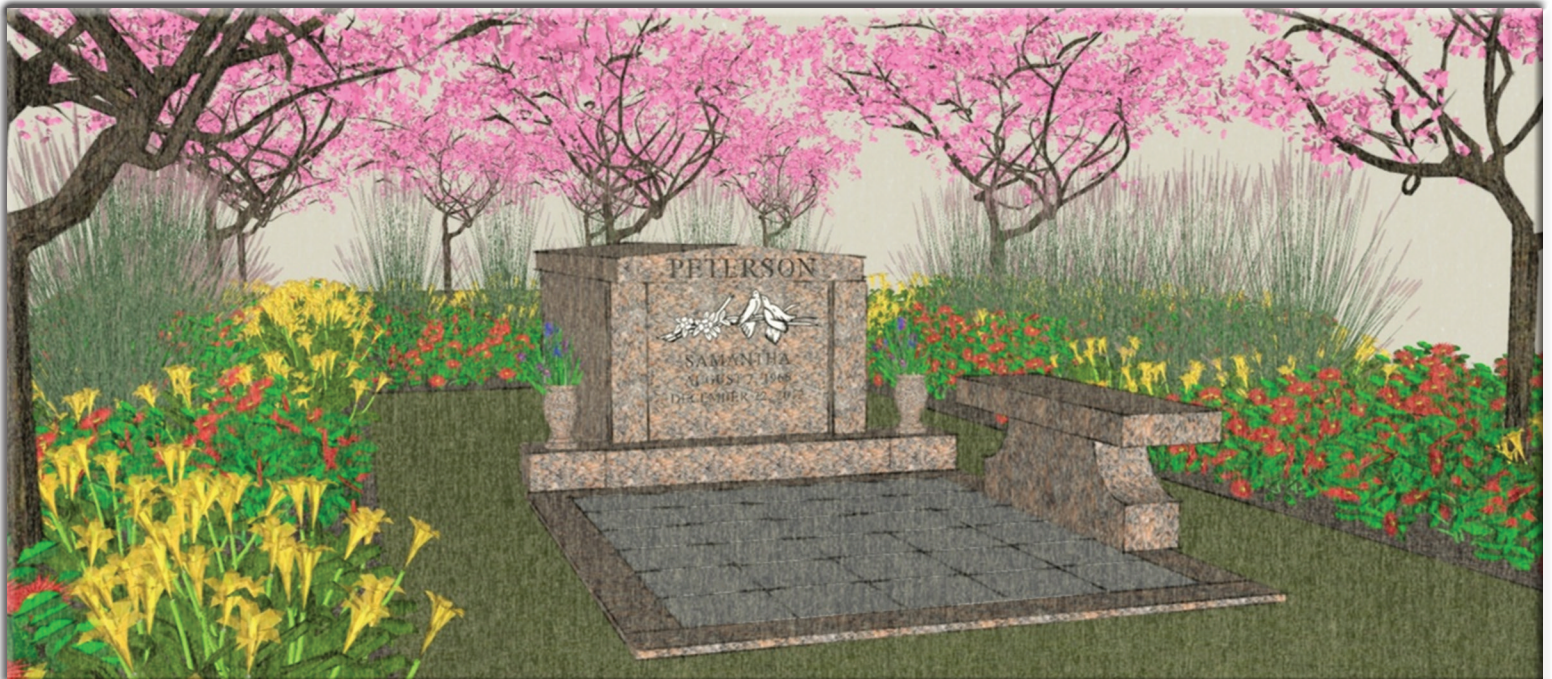
Import Granite Colors

- Import Gray
- Import Barre Gray
- Absolute Black
- Bahama Blue
- Mocha
- India Red
- Celestial Red
- Indian Dakota
- India Mahogany

*Non-Stock Items Ship in
Approximately 90-180 Days*



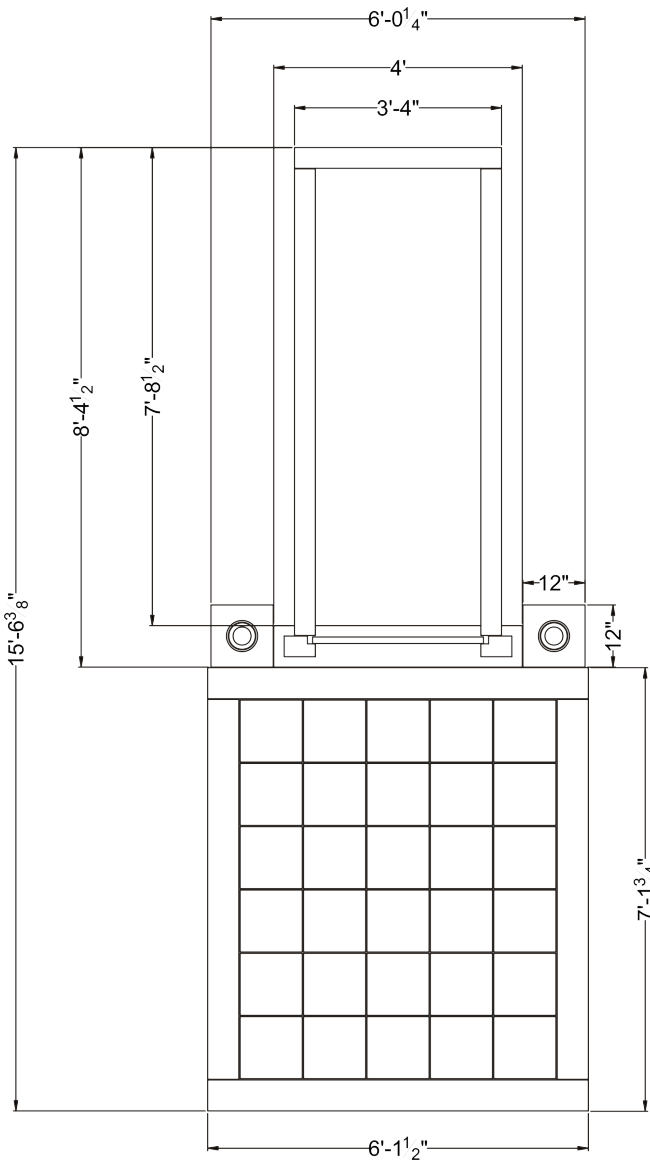
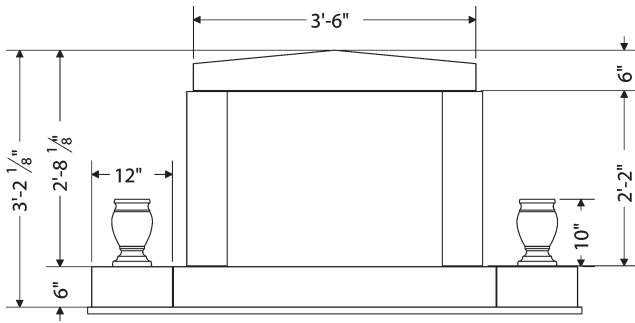
Shown above as Setup C in Absolute Black



Shown above as Setup C with an optional SD-004 bench

SD-809

Overall Design Dimensions and Standard Setup Options



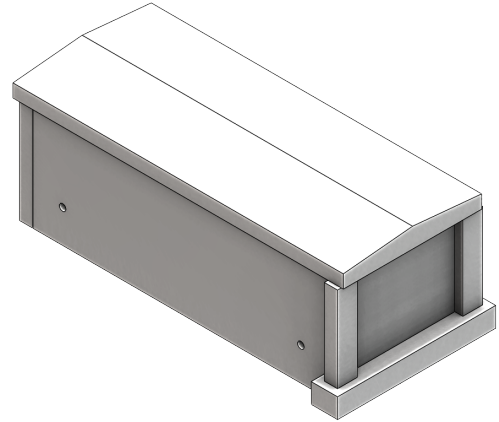
* Patio includes 6" polished coping, 1 1/4" thick, around flamed 12x12 pavers, 1 1/4" thick. All are set on a concrete pad with 1/4" grout lines.

* Overall dimensions noted are the approximate dimensions of the overall footprint. Foundation depth is determined by your local foundation building code.

Setup A

Mausoleum Only

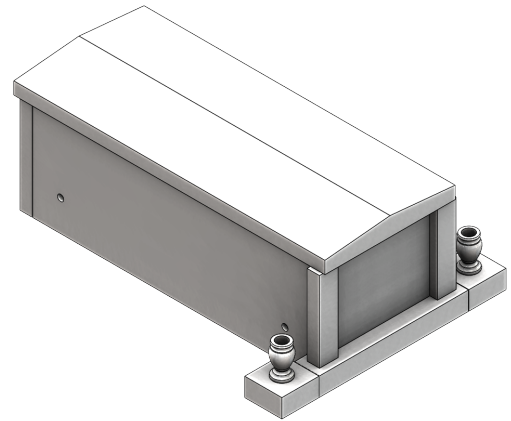
Recommended Site Dimensions are: 12' x 17'



Setup B

Mausoleum with Vase Option

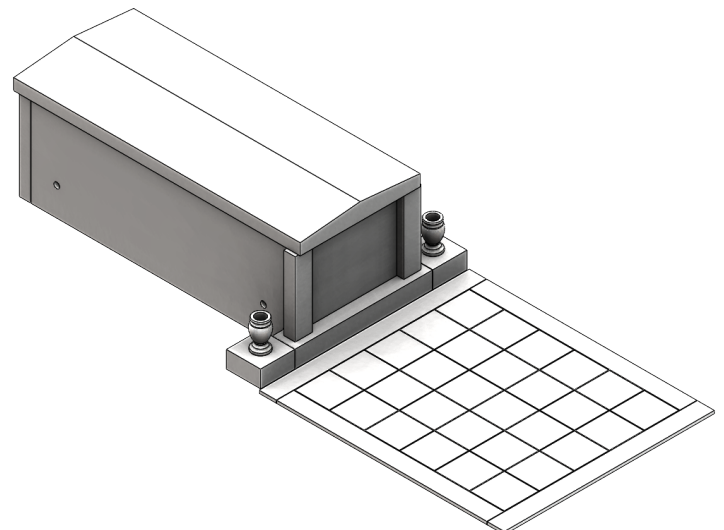
Recommended Site Dimensions are: 14' x 17'



Setup C

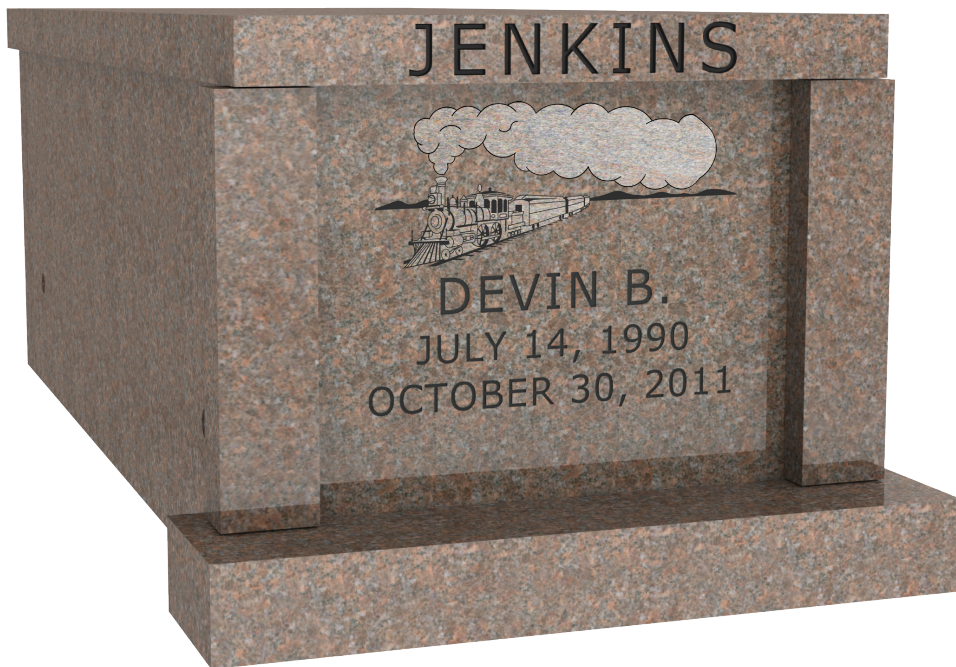
Mausoleum with Vase & Patio Options

Recommended Site Dimensions are: 15' x 25'



SD-808

Single Crypt Design, Flat Roof, Standard Jambs



Shown above as Setup A in Dakota Mahogany

Domestic Granite Colors

- Star Blue
- Pink Pearl
- Morning Rose
- Canadian Mahogany
- Dakota Mahogany
- Silver Cloud
- Paradise Black
- Jet Mist

*Non-Stock Items Ship in
Approximately 90-120 Days*

Import Granite Colors

- Import Gray
- Import Barre Gray
- Absolute Black
- Bahama Blue
- Mocha
- India Red
- Celestial Red
- Indian Dakota
- India Mahogany

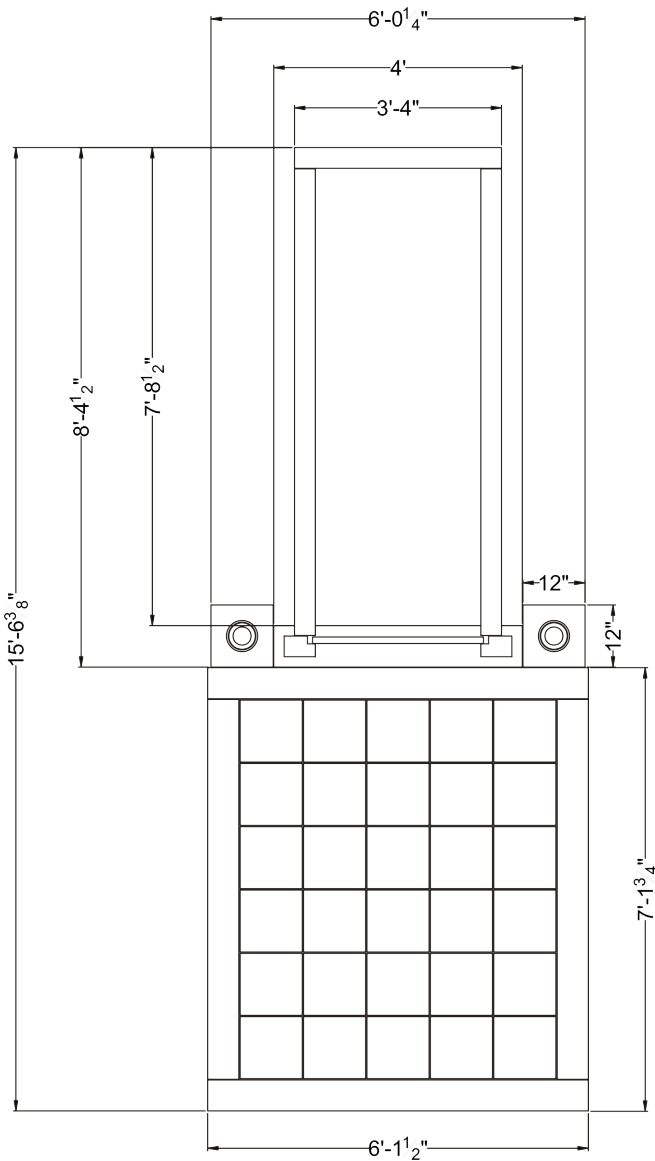
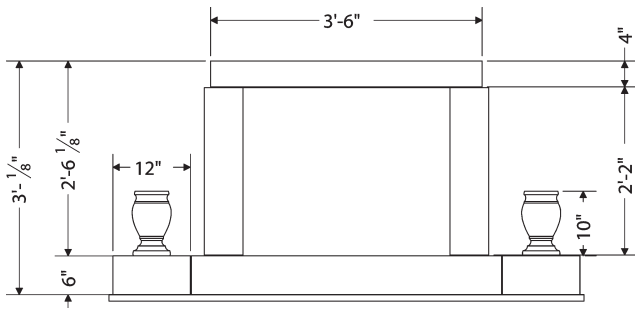
*Non-Stock Items Ship in
Approximately 90-180 Days*



Shown above as Setup C in Star Blue with an optional SD-002 bench

SD-808

Overall Design Dimensions and Standard Setup Options



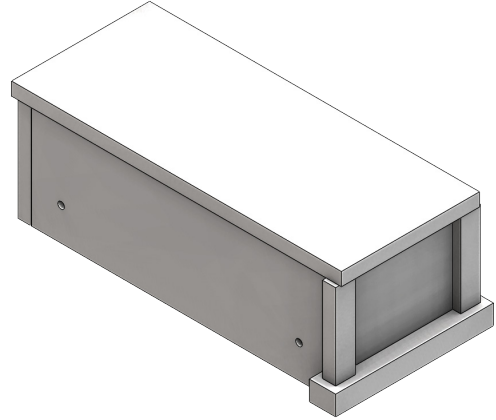
* Patio includes 6" polished coping, 1 1/4" thick, around flamed 12x12 pavers, 1 1/4" thick. All are set on a concrete pad with 1/4" grout lines.

* Overall dimensions noted are the approximate dimensions of the overall footprint. Foundation depth is determined by your local foundation building code.

Setup A

Mausoleum Only

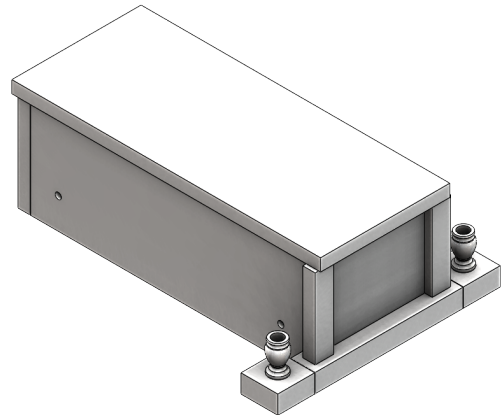
Recommended Site Dimensions are: 12' x 17'



Setup B

Mausoleum with Vase Option

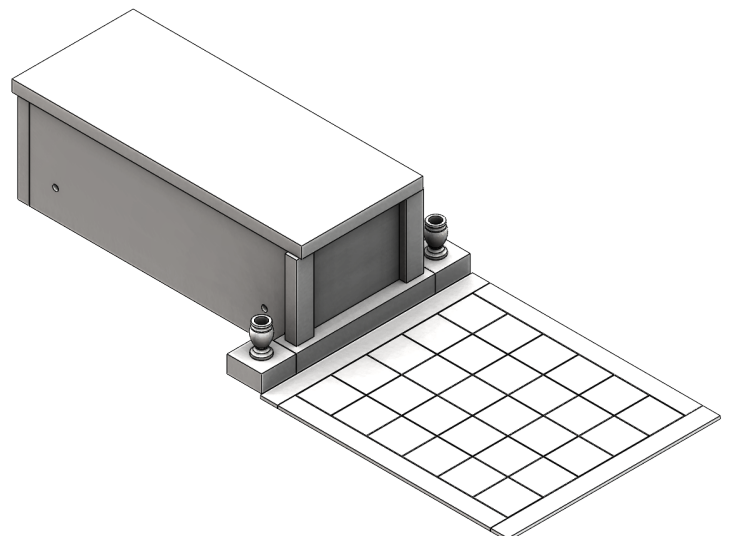
Recommended Site Dimensions are: 14' x 17'



Setup C

Mausoleum with Vase & Patio Options

Recommended Site Dimensions are: 15' x 25'



Standard Bench Options

Benches are available in the same color offerings as our mausoleums



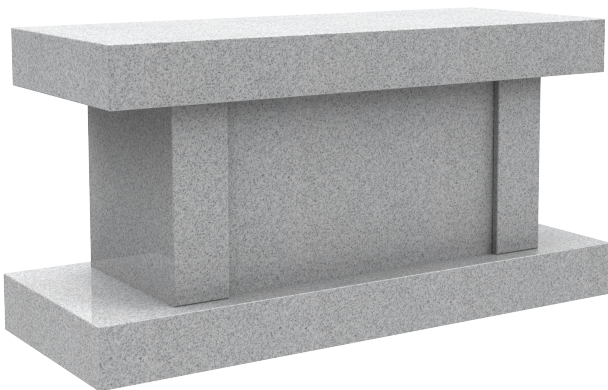
SD-001



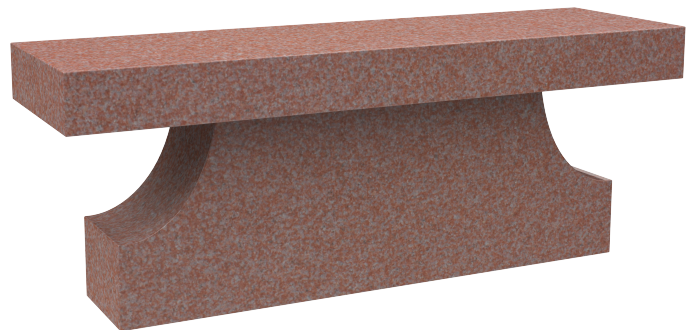
SD-002



SD-005



SD-003



SD-004

Standard Vase and Hardware Options

Vases are available in the same color offerings as our mausoleums



6x10 Vase



8x12 Vase



Suction Cups

All buildings will come standard with a solid door and no Rosettes. They will be shipped with two suction cups for handling the doors.



Bronze Rosette and T-handle

Please specify on the order if you prefer Bronze Rosettes and T-handles. Additional charges may apply.



Suction Cup
Shown Above

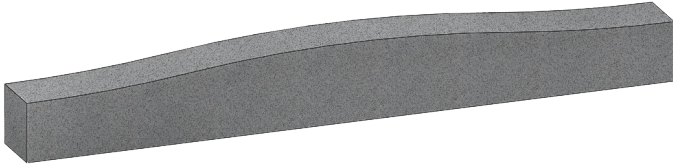


Bronze Rosette and T-handle
Shown Above

Pediment and Jamb Options

Please contact your sales associate for custom requests

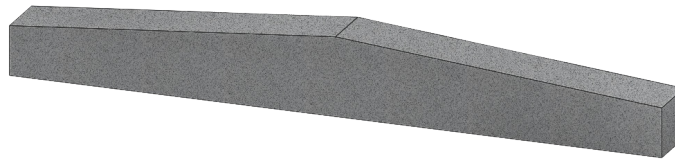
Serpentine Pediment



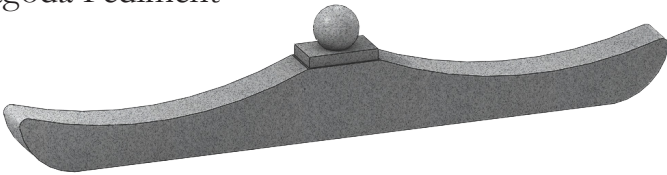
Oval Pediment



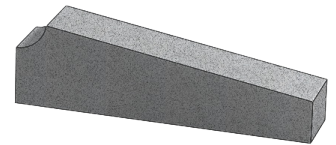
Roof Top Pediment



Pagoda Pediment



Split Pediment



Bevel Jam



Flair Jam



OG Jam



Square Jam

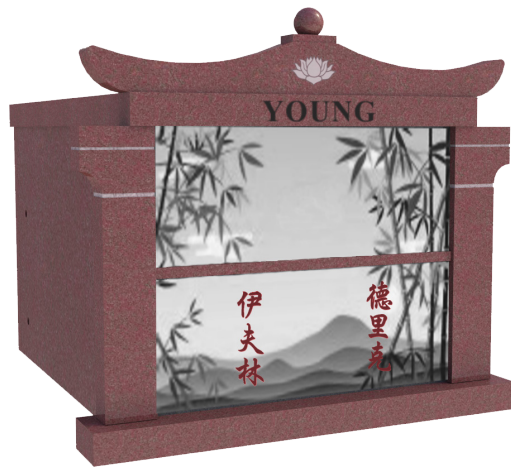


Round Jam



Pediment, Jamb and Step Options

Please contact your sales associate for custom requests



Pediments are available for all Flat Roof Designs.

Standard sizes are:

Single Pediment: 3-0 x 0-6 x 0-8

Companion Pediment: 5-6 x 0-6 x 0-8

Pagoda pediment sizes vary

Single Pediments can be used on the following models:

SD-805, SD-808, SD-810, SD-812 & SD-829

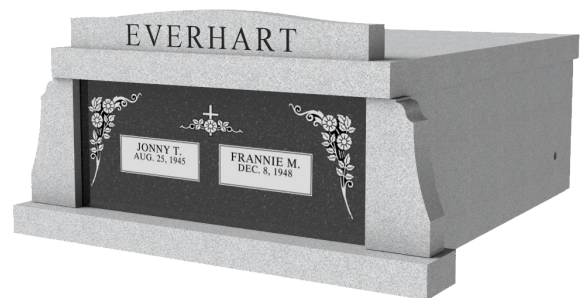
Companion Pediments can be used on the following models:
SD-803, SD-806, SD-814, SD-819, SD-825, SD-826 & SD-830

Wings are available for all Designs excluding:

SD-805, SD-807, SD-810, SD-811,

SD-819, SD-820 & SD-826

Overall building footprint may increase depending on the Wing option.



Pediments & Jambs are available in the same color offerings as our mausoleums

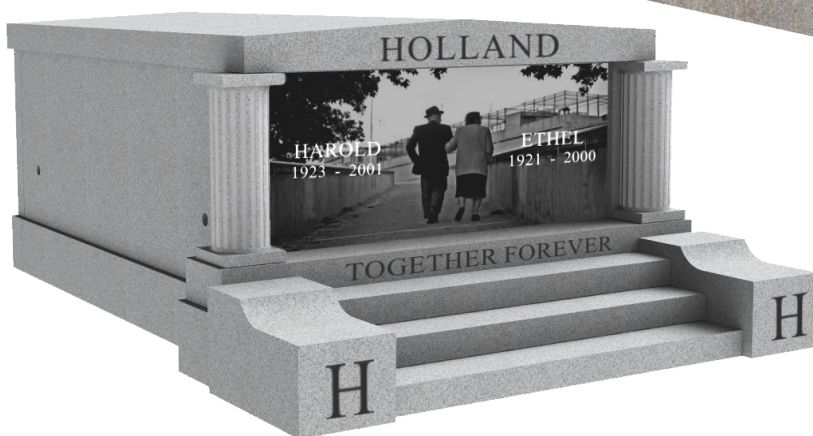
Step Options

Step Style A

Shown on the right with 1 step;
is also offered in a 2 step configuration



Step Style A is shown above on a SD-818



Step Style B is shown above on a SD-800

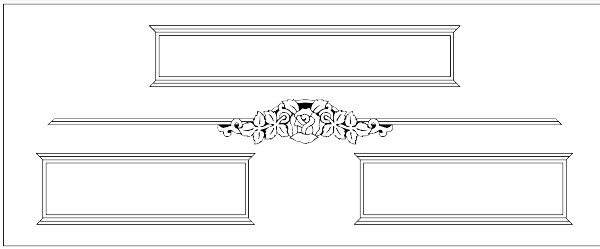
Step Style B

Shown on the left with 3 steps;
is also offered in a 4 step configuration

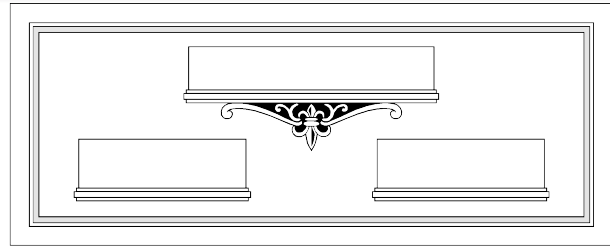
Steps are available in the same color offerings as our mausoleums

Sandblast Designs

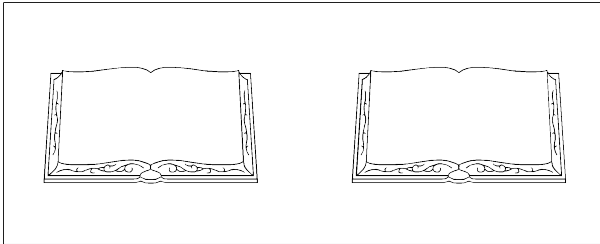
Visit <http://www.stargranite.com/> for additional sandblast and etching options



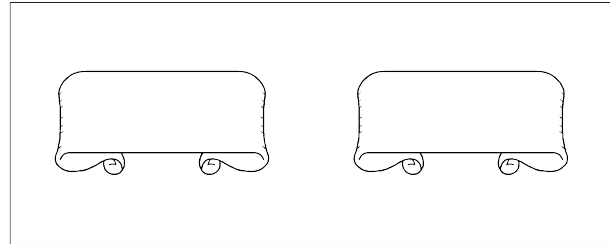
Rose Bar



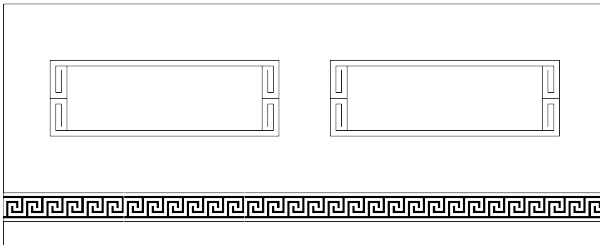
Fleur De Lis



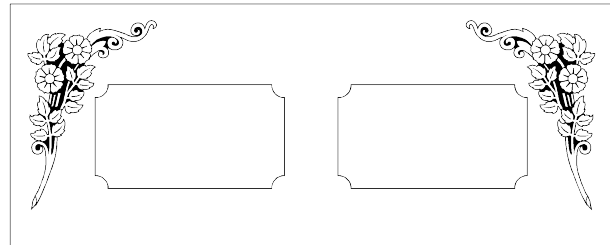
Book Panels



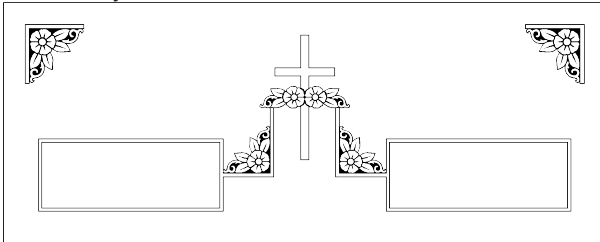
Scroll Panels



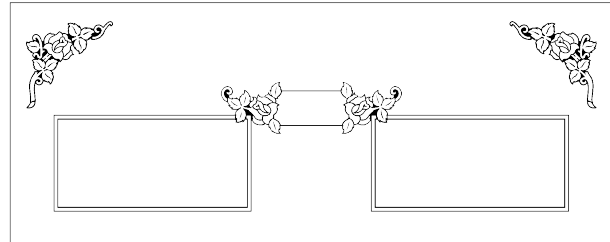
Greek Key



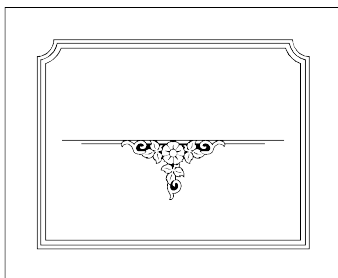
Wild Rose



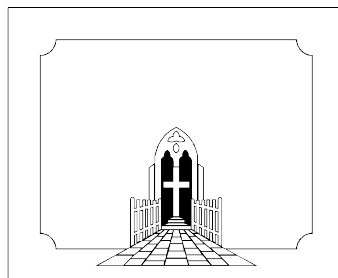
Wild Rose & Cross



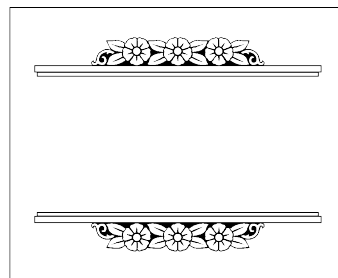
Rose Panel



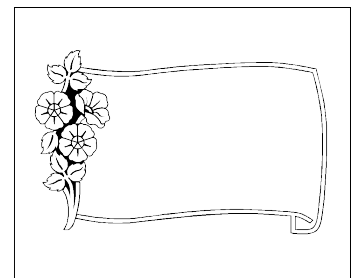
Wild Rose



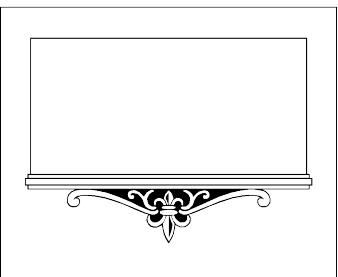
Heavens Gate



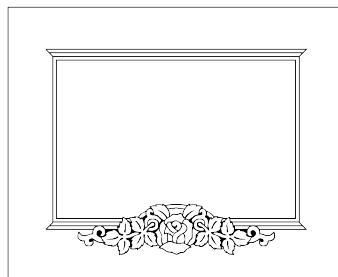
Wild Rose Bar



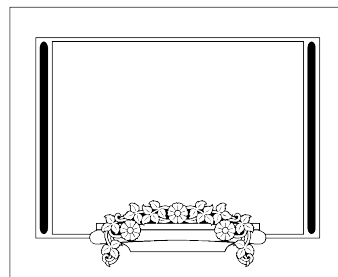
Wild Rose Scroll



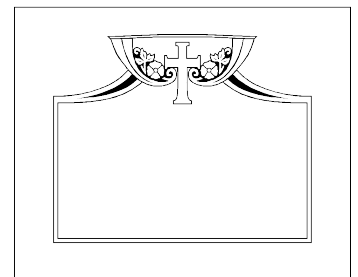
Fleur De Lis



Rose



Wild Rose 2



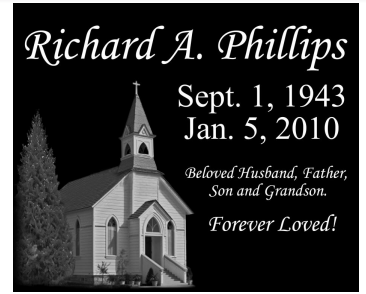
Cross

Etched Designs and Jamb Carvings

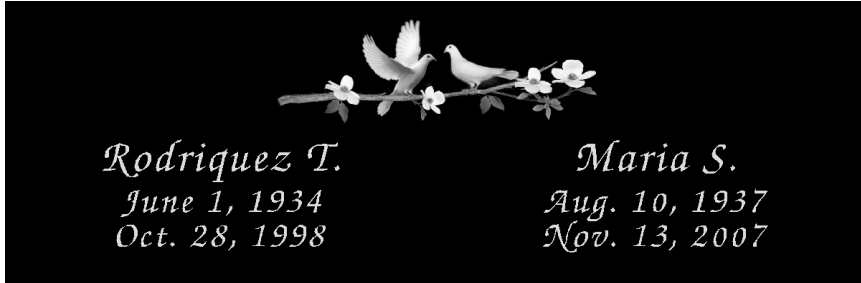
Visit <http://designs.sdpweb.net/> for additional sandblast and etching options



SL-17



SP-173



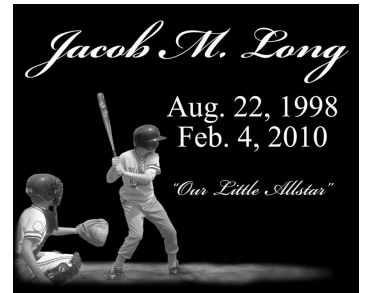
SP-3



SP-142

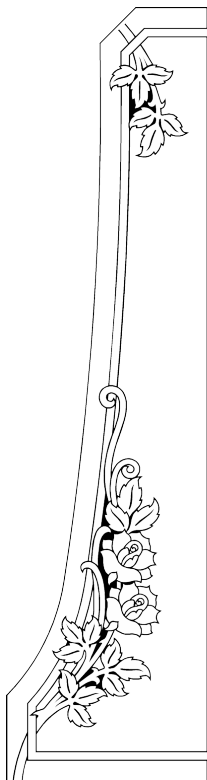


SL-19

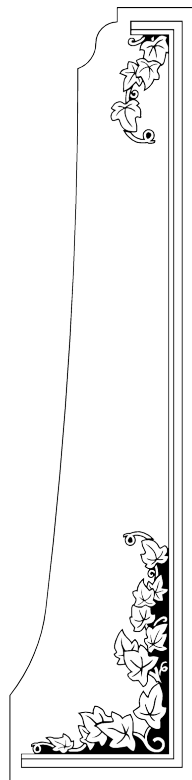


Custom

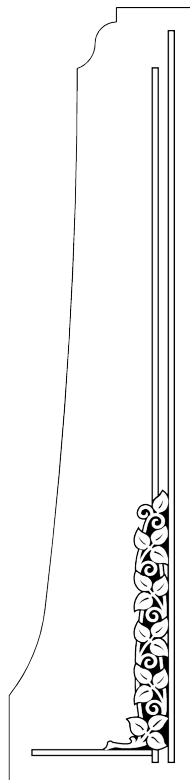
Etchings can only be done on black granite



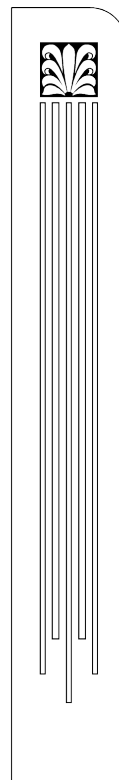
Roses



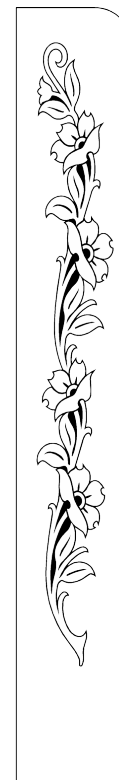
Ivey



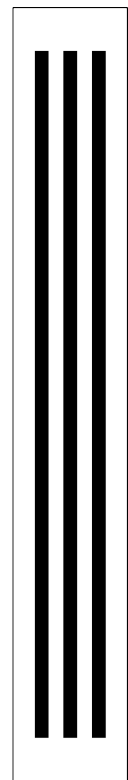
Leaves



Lines



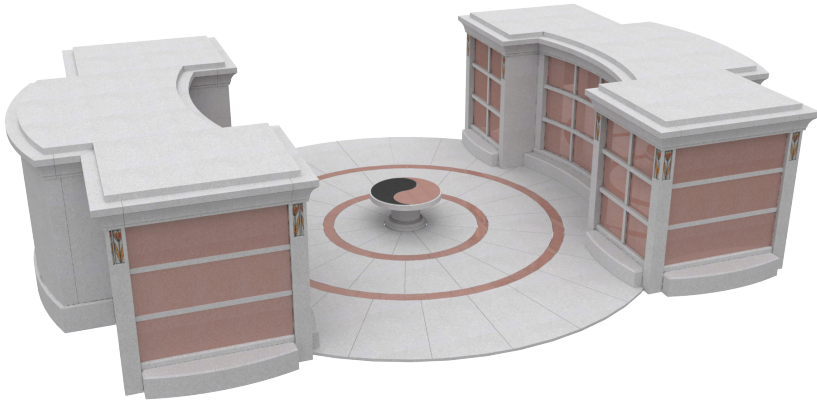
Wild Roses



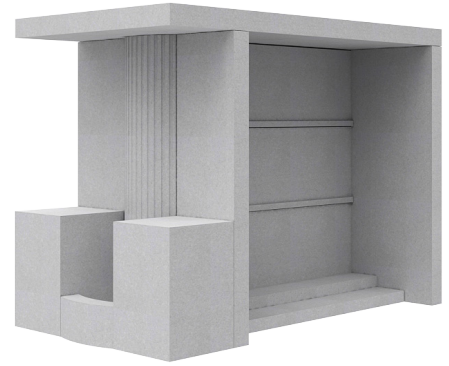
Flutes

Custom Estate Designs

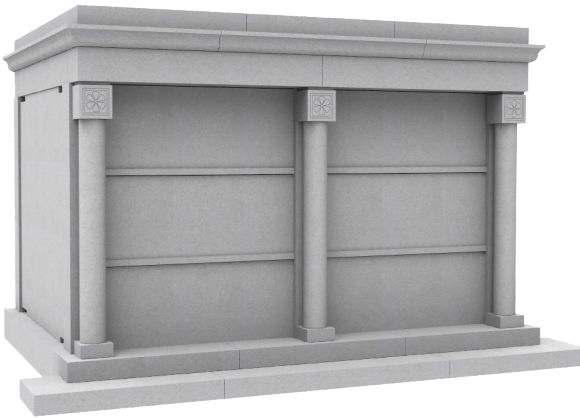
Make the most of your estate and let us create a custom design to fit your space



Catalog Design 1



Catalog Design 2



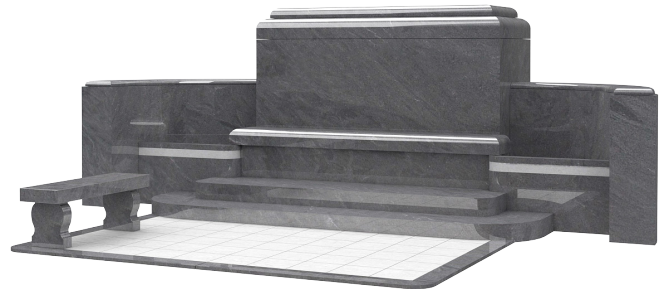
Catalog Design 3



Catalog Design 4



Catalog Design 5



Catalog Design 6



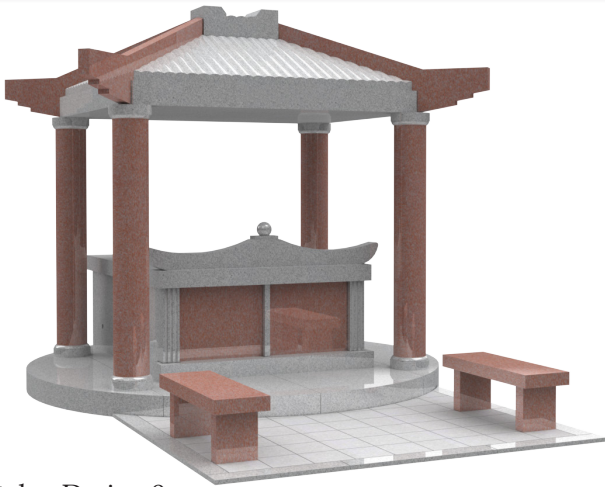
Catalog Design 7



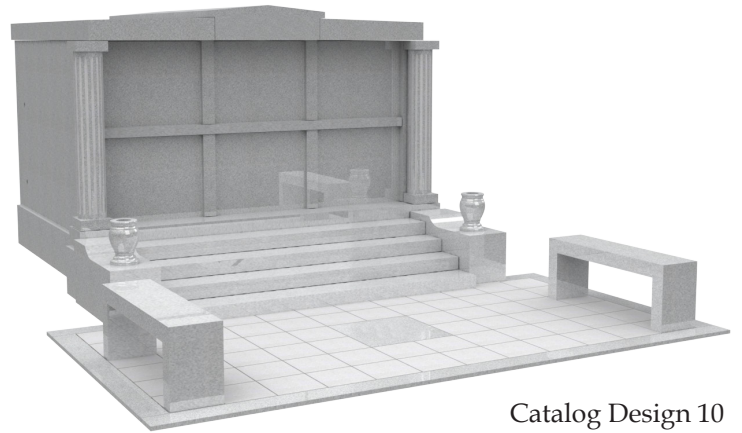
Catalog Design 8

Custom Estate Designs

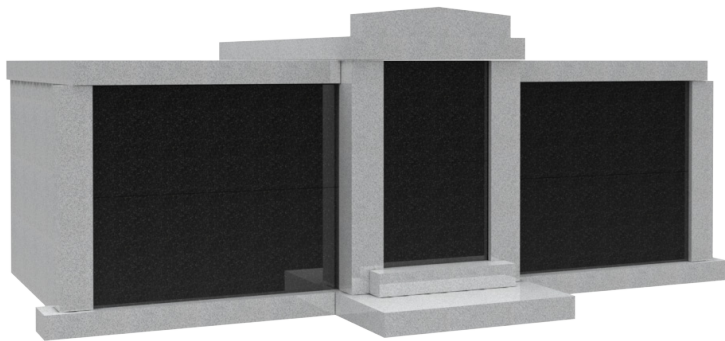
Please contact your sales associate for help designing your custom estate today



Catalog Design 9



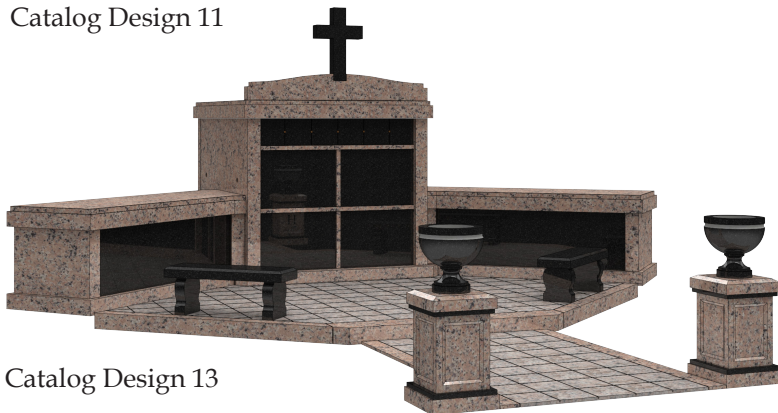
Catalog Design 10



Catalog Design 11



Catalog Design 12



Catalog Design 13



Catalog Design 14



Catalog Design 15



Catalog Design 16

Domestic Granite Colors

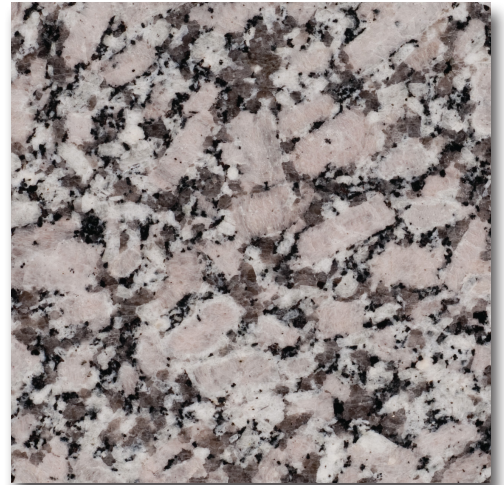
Contact your sales associate for availability and pricing for other domestic colors



Star Blue



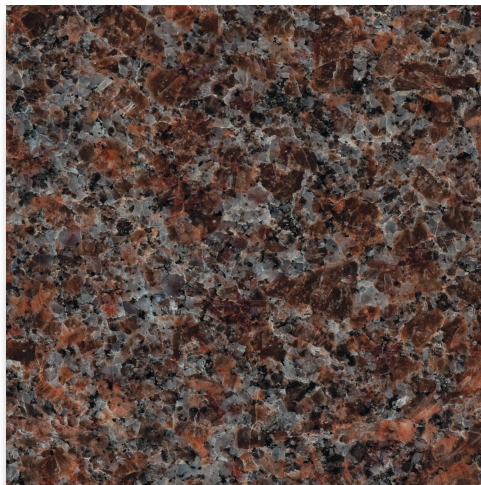
Morning Rose



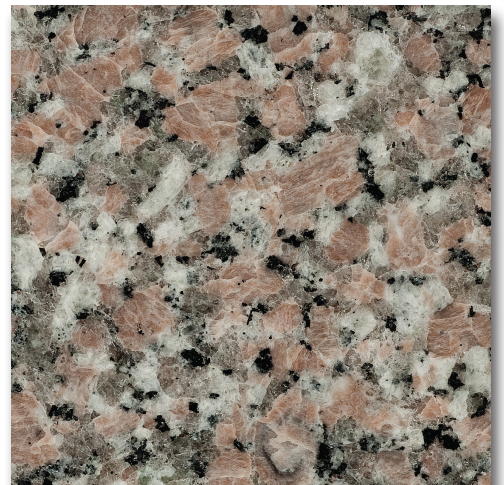
Pink Pearl



Canadian Mahogany



Dakota Mahogany



Star Mahogany



Jet Mist



Paradise Black



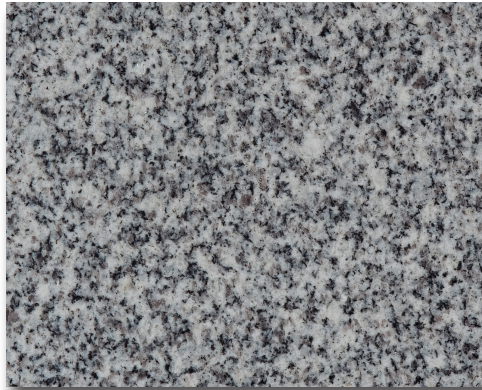
Silver Cloud

Import Granite Colors

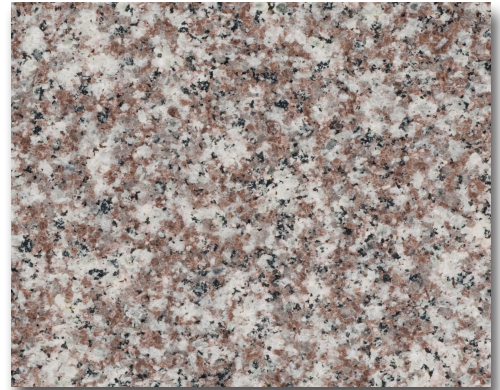
Contact your sales associate for availability and pricing for other import colors



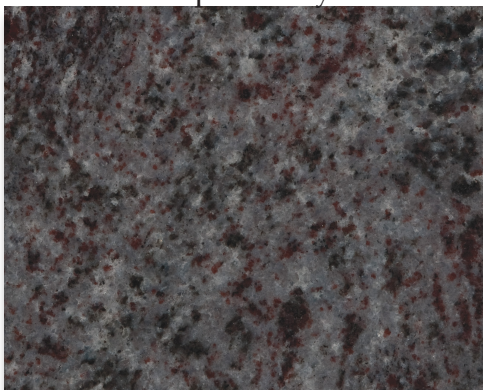
Import Gray



Dark Gray



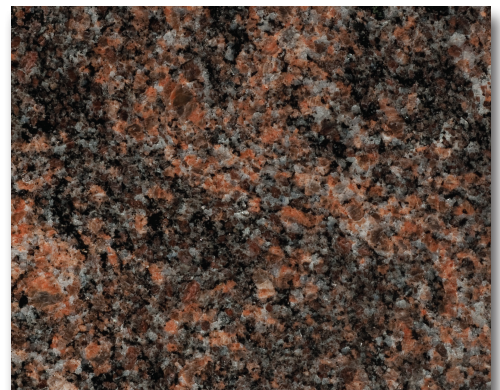
Mocha



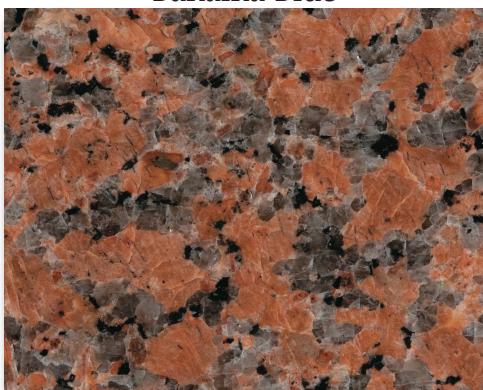
Bahama Blue



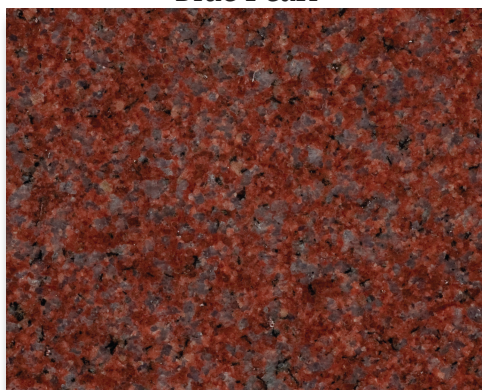
Blue Pearl



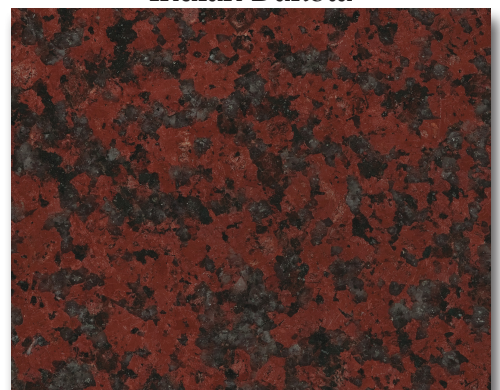
Indian Dakota



Celestial Red



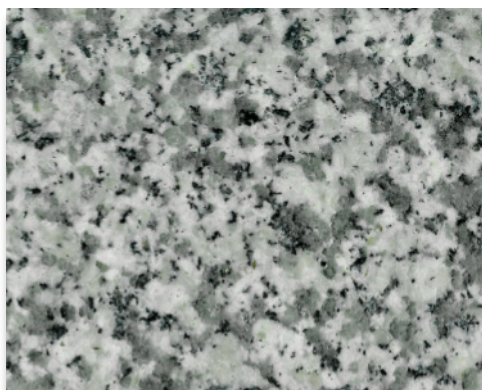
India Red



African Red



Absolute Black



Rosa Beta



India Mahogany



 *Star Granite*
& **BRONZE**

Rev. 6/6/2018